

# TECNOVIDEO

CCTV SYSTEMS AND ACCESSORIES

# EX129 SERIES

STAINLESS STEEL CAMERA HOUSING



HAZARDOUS AREA

**THE CERTIFIED SOLUTION THAT YOU CAN USE WITH YOUR OWN CAMERAS!**

AISI316L STAINLESS STEEL CONSTRUCTION  
FOR USE IN HIGHLY CORROSIVE ENVIRONMENTS  
INTEGRATED WIPER VERSION AVAILABLE  
WEATHERPROOF STANDARD IP66/IP67  
AVAILABLE FOR CUSTOMER SPECIFIED CAMERAS  
SUITABLE FOR DAY/NIGHT ANALOG AND IP CAMERAS  
SUITABLE FOR DIRECT OPTICAL FIBER CONNECTION



EX129WW-C2M CAMERA HOUSING WITH WIPER

## TECHNICAL SPECIFICATIONS

### GENERAL & MECHANICAL

<b>Dimensions</b>	See drawings next page
<b>Operating Temperature</b>	-20° +75°C (-4° +167° F)
<b>Construction</b>	AISI316L Stainless Steel
<b>Finish</b>	Electro-polished
<b>Mounting</b>	4x M5 on 101,6 PCD 4x M6 on 90x130
<b>Cable entries</b>	2x M25x1,5 cable entries

Up to 4x M25x1,5 or up to 4x M20x1,5 cable entries available upon request

Weight Model	Unit [kg]	Package [kg]
EX129/EX129-C2S	9	10
EX129-C2M	11	12
EX129-C2L	12	13
EX129WW-C2S	10	11
EX129WW-C2M	12	13
EX129WW-C2L	13	14

### ELECTRICAL

<b>Thermostatically controlled heater</b>	
<b>T[°C] ON = 12 ± 4°C, T[°C] OFF = 20 ± 3°C</b>	
<b>Available voltages</b>	24V~, 230V~ (+/-10%)
<b>Wiper</b>	
<b>Available voltages</b>	24V~, 230V~ (+/-10%)
<b>Max power consumption</b>	25W

### CERTIFICATIONS

<b>Ingress Protection Rating</b>	EN 60529 (IP66/IP67) ⊕ II 2 G Ex db op pr IIC T6 Db -40°C ≤ Tamb ≤ +60°C ⊕ II 2 D Ex tb IIIC T85°C Db -40°C ≤ Tamb ≤ +60°C IP66/IP67 ⊕ II 2 G Ex db op pr IIB T5 Gb -40°C ≤ Tamb ≤ +75°C ⊕ II 2 D Ex tb IIIC T100°C Db -40°C ≤ Tamb ≤ +75°C IP66/IP67
<b>ATEX Standards</b>	EN 60079-0:2012; EN 60079-1:2014; EN 60079-28:2015; EN 60079-31:2014
<b>IECEX Standards</b>	IEC 60079-0:2011; IEC 60079-1:2014-06; IEC 60079-28:2015; IEC 60079-31:2013
<b>EMC</b>	EN 61000-6-3:2007; EN 50130-4:1995 + A1:1998 + A2:2003
<b>LVD</b>	EN 60950-1:2006 + A11:2009
<b>RoHS</b>	2011/65/EU
<b>WEEE</b>	2012/19/EU

### MODELS

<b>EX129-C2S/24<sup>1</sup></b>	Housing (L=250 mm)
<b>EX129-C2M/24<sup>1</sup></b>	Housing (L=375 mm)
<b>EX129-C2L/24<sup>1</sup></b>	Housing (L=500 mm)
<b>EX129WW-C2S/24<sup>1</sup></b>	Housing (L=250 mm) with integrated wiper
<b>EX129WW-C2M/24<sup>1</sup></b>	Housing (L=375 mm) with integrated wiper
<b>EX129WW-C2L/24<sup>1</sup></b>	Housing (L=500 mm) with integrated wiper

24V~ models. Suffix /230 is used for 230V~ models.

All EX129 models include sunshield and heater. Usable front window diameter: 75 mm (toughened glass).

### PRE-ASSEMBLED CONDUIT TAILS

<b>EXACCTF3</b>	3 meters armoured composite cable tail + 2x M25 barrier nickel plated brass glands
<b>EXACCTF5</b>	5 meters armoured composite cable tail + 2x M25 barrier nickel plated brass glands
<b>EXACCTF10</b>	10 meters armoured composite cable tail + 2x M25 barrier nickel plated brass glands

### MOUNTING ACCESSORIES

<b>EXSSBK129</b>	Wall mounting bracket with swivel joint
<b>EXSSPM129</b>	Pole mount adapter
<b>EXSSPTM129</b>	Pole top mount adapter

### ACCESSORIES AND SPARE PARTS

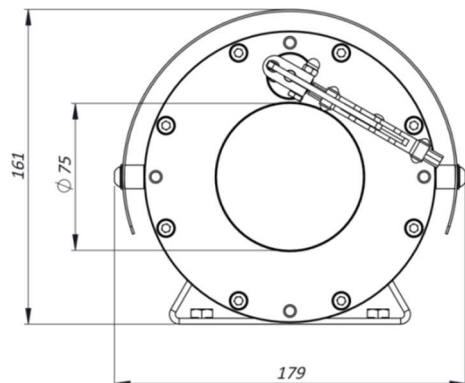
<b>RX24IO</b>	Telemetry controller for fixed wash/wipe housings
<b>EXWB129</b>	Wiper blade (complete assembly)
<b>EXWBK129</b>	Wiper blade (only spare part: rubber blade and support)
<b>MKEX129</b>	Maintenance Kit with O-ring seals, screws, desiccant bags

[www.tecnovideocctv.com](http://www.tecnovideocctv.com)

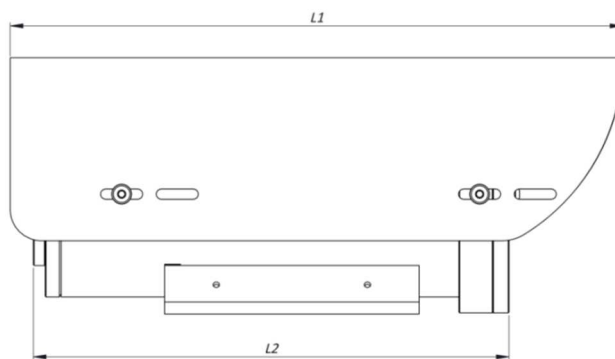
Tecnovideo S.r.l. - Via A. De Gasperi, 3 36030 Villaverla (VI) ITALY - Tel. +39.0445.350444 - [info@tecnovideocctv.com](mailto:info@tecnovideocctv.com)

## DIMENSIONS

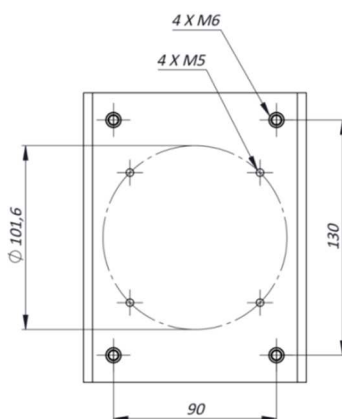
FRONT VIEW



SIDE VIEW



MOUNTING PATTERN



MAX EXTERNAL LENGTH

Model	L1 [mm]	L2 [mm]
EX129/EX129-C2S/EX129WW-C2S	385	299
EX129-C2M/EX129WW-C2M	510	424
EX129-C2L/EX129WW-C2L	630	544

MAX INTERNAL USABLE AREA

Model	Max internal dimensions [mm]	Max usable internal diameter [mm]
EX129-C2S	80x80x160	95
EX129-C2M	80x80x285	95
EX129-C2L	80x80x405	95
EX129WW-C2S	80x80x145	85
EX129WW-C2M	80x80x265	85
EX129WW-C2L	80x80x390	85

Please contact us if bigger cameras/zoom lenses are needed.