



tekno system[®]
by TECNOVIDEO

CHXS SERIES

STAINLESS STEEL CAMERA HOUSING

SAFE AREA

AISI316L STAINLESS STEEL CONSTRUCTION
FOR UNDERWATER APPLICATIONS
IP68 AT 100 METERS DEPTH
EASY INSTALLATION AND MAINTENANCE
SUITABLE FOR ANALOG AND IP CAMERAS



CHXS+SSX+BWXHX STAINLESS STEEL HOUSING WITH SUNSHIELD AND BRACKET

TECHNICAL SPECIFICATIONS

GENERAL & MECHANICAL

Dimensions	See drawings next page
Construction	Stainless Steel AISI316L
Window glass	5mm tempered glass
Cable entry	2 metal cable glands M16x1,5
Temperature range	-20°C +50°C (-4° +122°F)
Finish	Micro shot peening
Mounting	See drawings next page
Weight	8kg (unit); 9kg (package)

ELECTRICAL

Thermostatically controlled heater	
T[°C] ON	= 15± 5°C, T[°C] OFF = 22±4°C
Heater PTC (HT230)	115-230V~ 40W
Heater PTC (HT12-24)	12-24V~ 20W

CERTIFICATIONS

Ingress Protection(EN 60529)	IP68
RoHS	2011/65/EU
WEEE	2012/19/EU

MODELS

CHXS	Housing
-------------	---------

MOUNTING ACCESSORIES

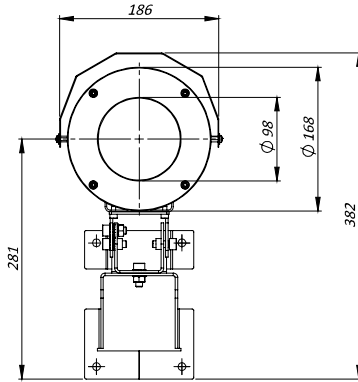
BWXHX	Wall mounting bracket with swivel for CHX Series
PAX	Pole mount adapter for BWXHX
CMX	Corner Mount Adapter for BWXHX

ACCESSORIES AND SPARE PARTS

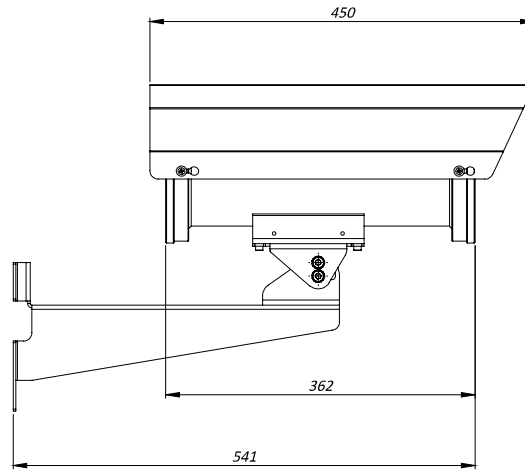
SSX	Sunshield
HT24	Add-on heater kit. 12-24V~
HT230	Add-on heater kit. 115-230V~
ALX/12	Power supply unit 230V~/12V~, 400mA
ALX/24	Transformer 230V~/24V~, 400mA
EL	Camera height adjustment kit

DIMENSIONS

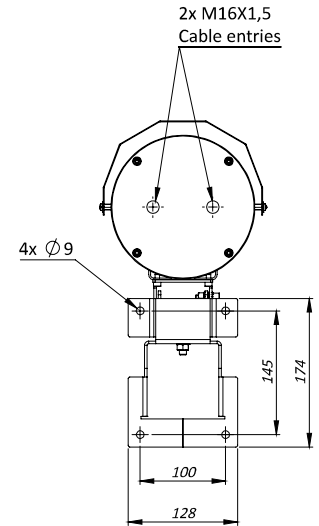
CHXS FRONT VIEW



CHXS SIDE VIEW



CHXS BACK VIEW



CHXS BOTTOM VIEW

