

# TECNOVIDEO

CCTV SYSTEMS AND ACCESSORIES

## CHEP-SS SERIES

EXPLOSION PROOF CAMERA HOUSING

HAZARDOUS AREA

- ATEX/IECEx CCTV CAMERA HOUSING
- AISI316L STAINLESS STEEL CONSTRUCTION
- DESIGNED FOR UNDERGROUND MINING (METHANE and COAL DUST)
- SUITABLE FOR ANALOG AND IP CAMERAS
- DIRECT OPTICAL FIBER CONNECTION AVAILABLE
- POE OPTION AVAILABLE



### TECHNICAL SPECIFICATIONS

#### GENERAL & MECHANICAL

<b>Dimensions</b>	See drawings next page
<b>Operating Temperature</b>	-20°C +50°C (-4° +122°F)
<b>Construction</b>	AISI316L stainless steel
<b>Finish</b>	Electro-polished
<b>Mounting</b>	4x M5 on 60x115
<b>Cable entries</b>	2x M25x1,5 cable entries 2x 3/4" NPT cable entries version is available upon request
<b>Weight</b>	Unit: 30kg / Package: 31kg

#### ELECTRICAL

<b>Thermostatically controlled heater</b>	<b>T[°C] ON</b> = 14 ± 4°C, <b>T[°C] OFF</b> = 25 ± 3°C
<b>Available voltages</b>	12/24VAC/DC, 115-230VAC (+/- 10%)
<b>Max power consumption</b>	60W

#### CERTIFICATIONS

<b>Ingress Protection Rating</b>	EN 60529 (IP66/IP67) Ⓜ II 2 G Ex db IIC T6 Gb Ⓜ II 2 D Ex tb IIIC T85°C Db Ⓜ I M2 Ex db I Mb Ⓜ II 2 G Ex db op pr IIC T6 Gb* Ⓜ II 2 D Ex tb op pr IIIC T85°C Db* Ⓜ I M2 Ex db op pr I Mb* *for version with fiber optic
<b>Certified temperature</b>	-50°C +50°C
<b>ATEX Standards</b>	EN 60079-0; EN 60079-1; EN 60079-28; EN 60079-31
<b>IECEx Standards</b>	IEC 60079-0; IEC 60079-1; IEC 60079-28; IEC 60079-31
<b>EMC</b>	EN 50130-4; EN/IEC 61000-6-2; EN/IEC 61000-6-4
<b>LVD</b>	EN 60950-1; EN 60950-22
<b>RoHS</b>	2011/65/EU + 2015/863/EU (RoHS 3)
<b>WEEE</b>	2012/19/EU

#### MODELS

<b>CHEP-SS/24</b>	Fixed camera housing with 12-24VAC/DC heater
<b>CHEP-SS/230</b>	Fixed camera housing with 115-230VAC heater

Usable front window: 105mm (toughened glass)  
Available upon request: Singlemode Fiber Optic media converter.

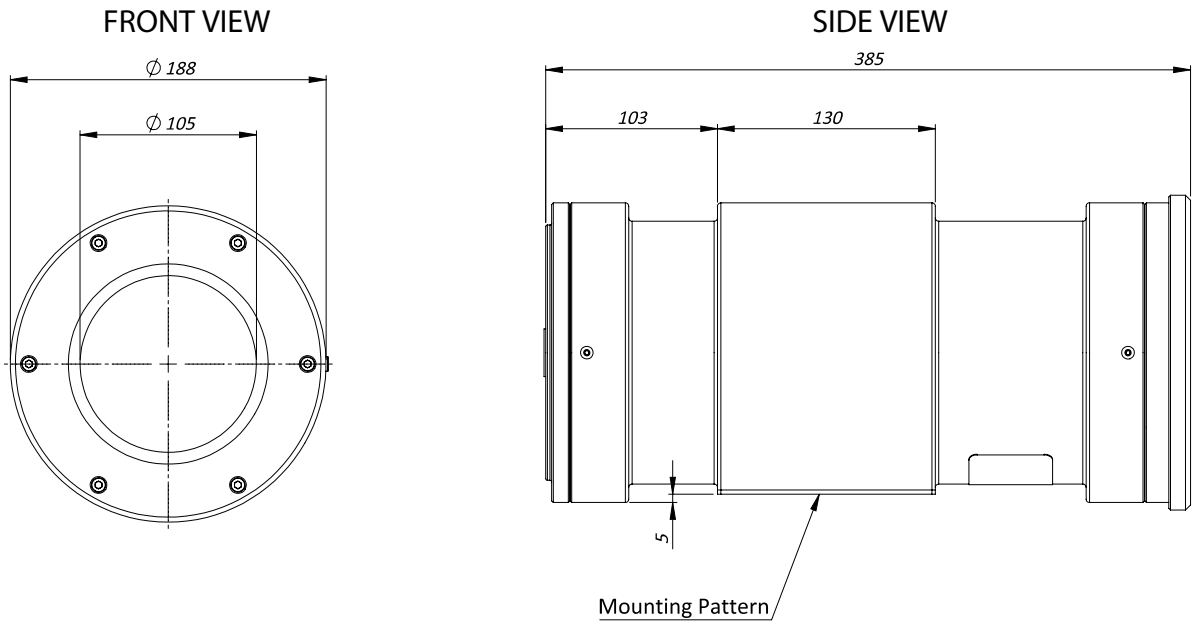
#### PRE-ASSEMBLED CONDUIT TAILS

<b>EXACCTF3-A</b>	3 meters armoured composite cable tail (power, Ethernet, data) with 2x M25 barrier nickel plated brass glands.
<b>EXACCTF3-C</b>	3 meters armoured composite cable tail (power, data, fiber optic) with 2x M25 barrier nickel plated brass glands. Fiber termination: SC
<b>EXACCTF5-A</b>	5 meters armoured composite cable tail (power, Ethernet, data) with 2x M25 barrier nickel plated brass glands.
<b>EXACCTF5-C</b>	5 meters armoured composite cable tail (power, data, fiber optic) with 2x M25 barrier nickel plated brass glands. Fiber termination: SC
<b>EXACCTF10-A</b>	10 meters armoured composite cable tail (power, Ethernet, data) with 2x M25 barrier nickel plated brass glands.
<b>EXACCTF10-C</b>	10 meters armoured composite cable tail (power, data, fiber optic) with 2x M25 barrier nickel plated brass glands. Fiber termination: SC

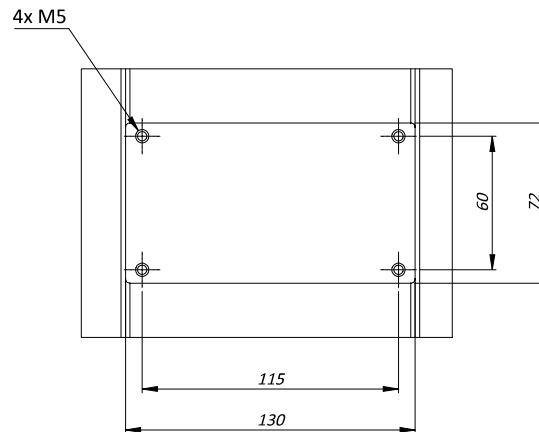
#### ACCESSORIES

<b>SSXEP</b>	AISI316L sunshield
<b>SSBK-M</b>	AISI316L wall mounting bracket
<b>SSPM-M</b>	AISI316L pole mount adapter for SSBK-M
<b>PSU01</b>	Power supply 230VAC/24VAC installed inside the housing
<b>PSU02</b>	Power supply 115-230VAC/12VDC installed inside the housing

## DIMENSIONS



## MOUNTING PATTERN



## MAX EXTERNAL LENGTH

Model	L1 [mm]	L2 [mm]
CHEP-SS/24	450	385
CHEP-SS/230	450	385

## MAX INTERNAL USABLE AREA

Model	Max internal dimensions [mm]	Max usable internal diameter [mm]
CHEP-SS/24	W90xH70xD230 or W70XH80xD230	114
CHEP-SS/230	W90xH70xD230 or W70XH80xD230	114