

- COMPREHENSIVE RANGE OF MOUNTS TO FULLFILL ANY SORT OF INSTALLATION
- AISI316L STAINLESS STEEL CONSTRUCTION
- FOR USE IN HIGHLY CORROSIVE ENVIRONMENTS
- SOLID CONSTRUCTION
- EASY INSTALLATION AND ORIENTATION



TECHNICAL SPECIFICATIONS

GENERAL & MECHANICAL

Dimensions	See drawings next page
Construction	AISI316L Stainless Steel
Mounting	See drawings next page

Weight Model	Unit [kg]	Package [kg]
SSBK-S	2	3
SSBK-M	6	7
SSBK-L	10	11
SSBK-XL	7	8
SSPM-S	3	4
SSPM-M	5	6
SSPTM-S	1	1,5
SSPTM-M	2,5	3
SSBKCLN-S	3,5	4,5
SSDM-M	1	1,5

CERTIFICATIONS

RoHS	2011/65/EU + 2015/863/EU (RoHS 3)
WEEE	2012/19/EU

MODELS

SSBK-S	Wall mounting bracket for 129/TSF, 129AC/TSF-AC and IRLED/TSL Series
SSBK-M	Wall mounting bracket for 129LC, 168, 168LC, 204, VSPT250, EX129/TSF, EXIRLED/TXL, CHEP Series, and for SSDM-M adapter
SSBK-L	Wall mounting bracket for PTZ200/TSP, PTZ250, EXPTZ/TSF, and EXPT/TSF-LB Series
SSBK-XL	Wall mounting bracket for 254 Series
SSBKCLN-S	Ceiling mounting bracket for 129/TSF, 129AC/TSF-AC and IRLED/TSL Series
SSPM-S	Pole mount adapter for 101 Series, 118 Series, SSBK-S bracket
SSPM-M	Pole mount adapter for SSBK-M, SSBK-L and SSBK-XL brackets
SSPTM-S	Pole TOP mount adapter for 129/TSF, 129AC/TSF-AC and IRLED/TSL Series
SSPTM-M	Pole TOP mount adapter for 129LC, 168, 168LC, 204, EX129/TSF, EXIRLED/TXL, CHEP Series
SSDM-M	Adapter to mount two items on a single SSBK-M bracket ¹

EXPLOSION-PROOF RANGE

- ¹ The following combinations are possible:
- two 129/EX129 or TSF/TSF Series camera housings
 - one 129/EX129 or TSF/TSF Series camera housing and one IRLED/EXIRLED or TSL/TXL illuminator

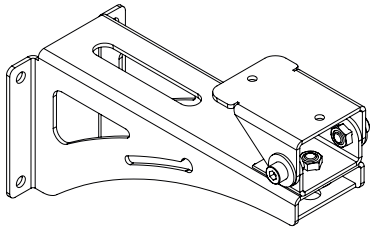
	EXPTZ/TSF	EXPTZ-LED/TSF-LED	EXPTZ-DUAL/TSFD	EXPT-CR/TSF-LB	EX129/TSF	EXUL129	CHEP	CHEP SS	EXIRLED/TXL
SSBK-M					X	X	X	X	X
SSBK-L	X	X	X	X					
SSPTM-M					X	X	X	X	X

WEATHERPROOF RANGE

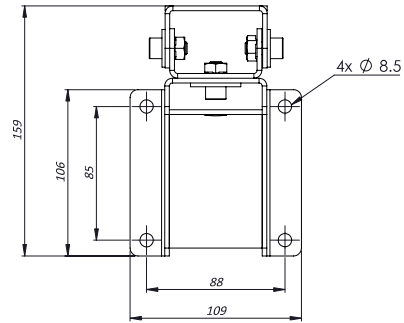
	PTZ200/SAP200/TSP	PTZ250/SAP250	118	129/TSF	168	254	129AC/TSF-AC	129LC	IRLED/TSL
SSBK-S			X	X			X		X
SSBK-M					X			X	
SSBK-L	X	X							
SSBK-XL						X			
SSPTM-S				X			X		X
SSPTM-M					X			X	
SSBKCLN-S				X			X		X

SSBK-S DIMENSIONS

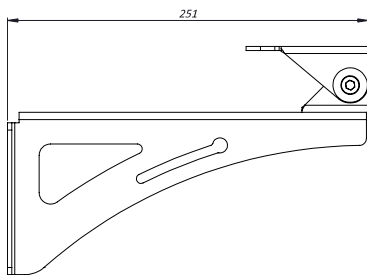
PRODUCT VIEW



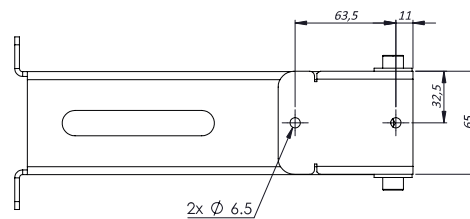
FRONT VIEW



SIDE VIEW

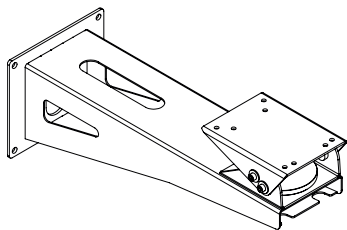


TOP VIEW

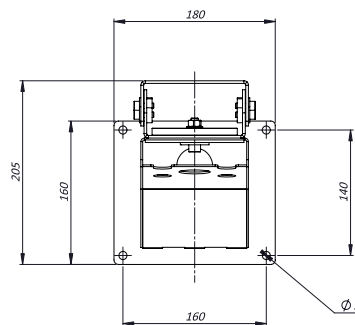


SSBK-M DIMENSIONS

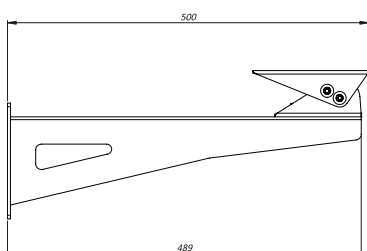
PRODUCT VIEW



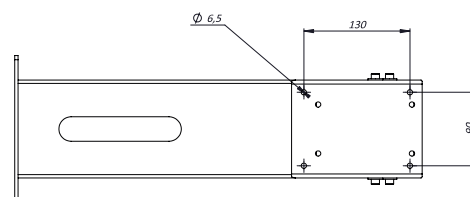
FRONT VIEW



SIDE VIEW



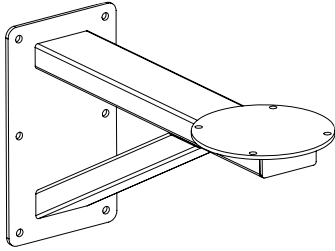
TOP VIEW



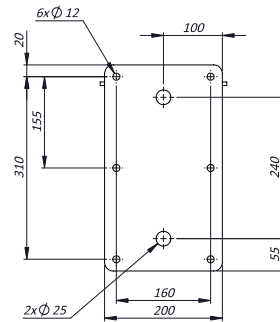
MOUNTING BRACKETS AND ADAPTERS

SSBK-L DIMENSIONS

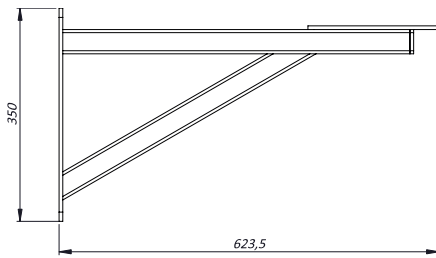
PRODUCT VIEW



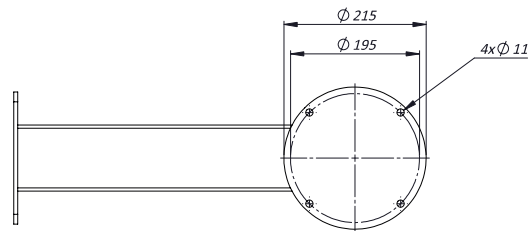
MOUNTING PATTERN



SIDE VIEW

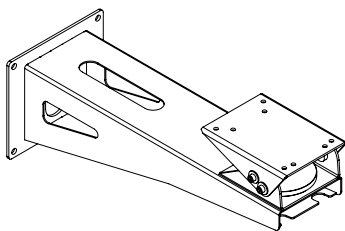


TOP VIEW

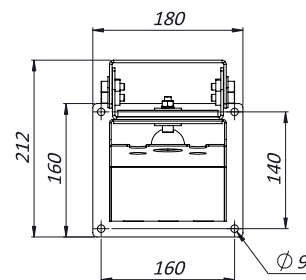


SSBK-XL DIMENSIONS

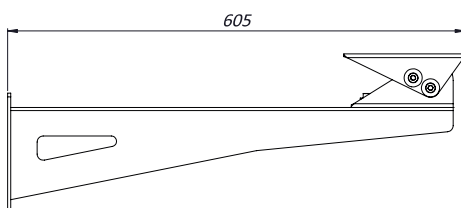
PRODUCT VIEW



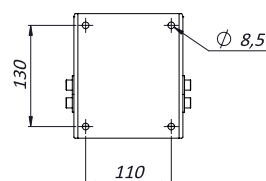
FRONT VIEW



SIDE VIEW

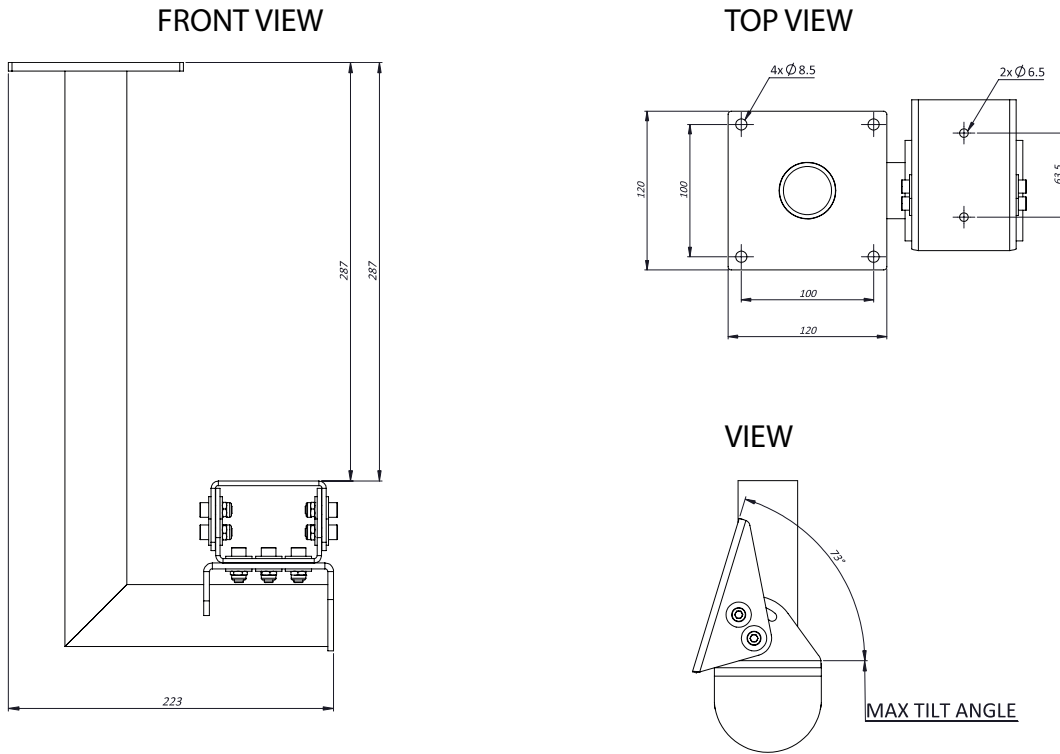


TOP VIEW

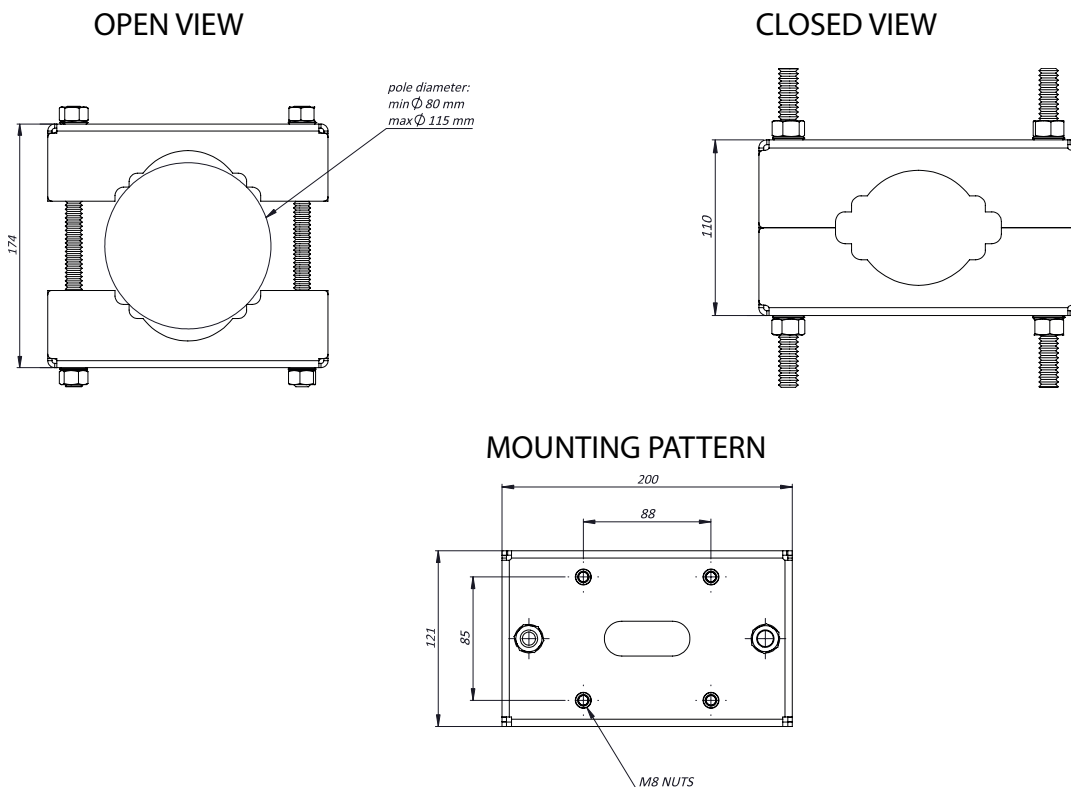


MOUNTING BRACKETS AND ADAPTERS

SSBK-CLN DIMENSIONS



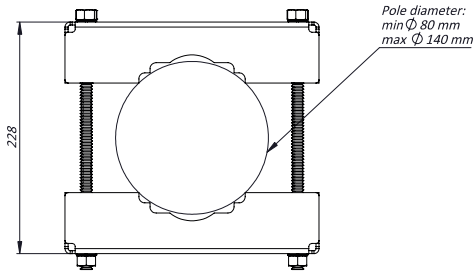
SSPM-S DIMENSIONS



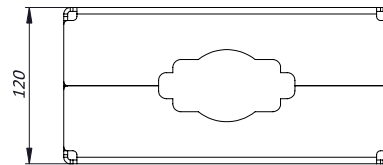
MOUNTING BRACKETS AND ADAPTERS

SSPM-M DIMENSIONS

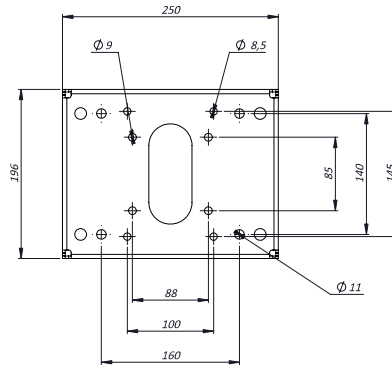
OPEN VIEW



CLOSED VIEW

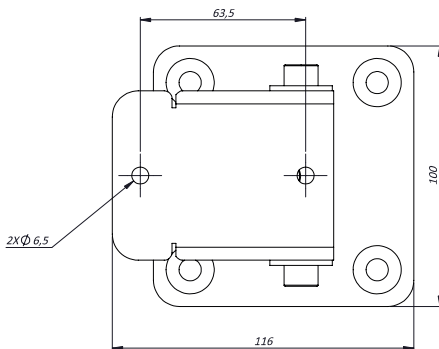


MOUNTING PATTERN

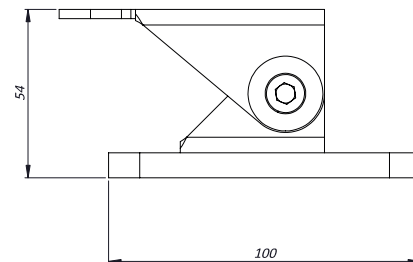


SSPTM-S DIMENSIONS

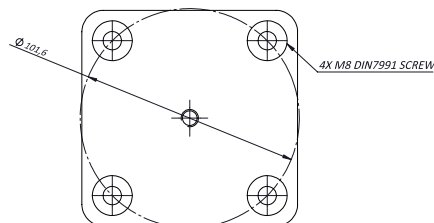
FRONT VIEW



SIDE VIEW



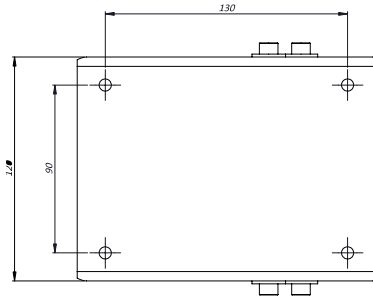
MOUNTING PATTERN



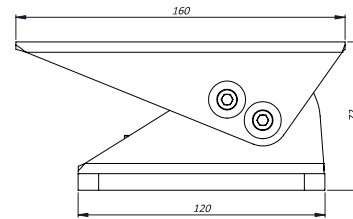
MONITORING BRACKETS AND ADAPTERS

SSPTM-M DIMENSIONS

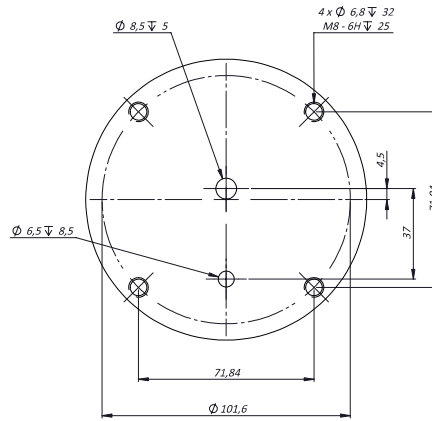
FRONT VIEW



SIDE VIEW

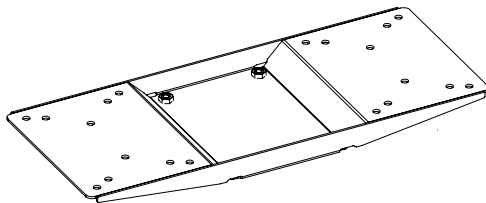


MOUNTING PATTERN

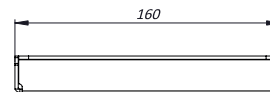


SSDM-M DIMENSIONS

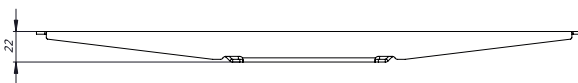
PRODUCT VIEW



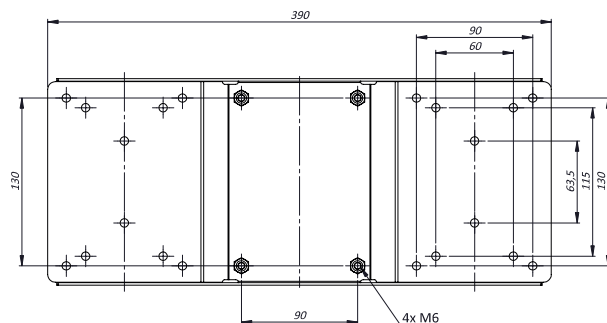
FRONT VIEW



SIDE VIEW



TOP VIEW



Dimensions in millimetres – Tolerances according QMS – Design and products specifications subject to change without notice – rev. 20231207