

254 SERIES

EXTRA-LARGE STAINLESS STEEL FIXED CAMERA HOUSING

SAFE AREA

- EXTRA-LARGE CAMERA HOUSING
- SUITABLE FOR BIG CAMERAS/LENSES
- AISI316L STAINLESS STEEL CONSTRUCTION
- FOR USE IN HIGHLY CORROSIVE ENVIRONMENTS
- INTEGRATED WIPER AVAILABLE
- WEATHERPROOF STANDARD IP66/IP67
- SUITABLE FOR ANALOG AND IP CAMERAS
- VISIBLE DAY/NIGHT AND THERMAL VERSIONS AVAILABLE



TECHNICAL SPECIFICATIONS

GENERAL & MECHANICAL

Dimensions	See drawings next page	
Operating Temperature	-40°C +60°C, +75°C peak (-40°F +140°F, +167°F peak)	
Window	Optical glass Ø200mm (visible), Germanium Ø155mm (thermal)	
Construction	AISI316L Stainless Steel	
Finish	Electro-polished	
Mounting	See drawings next page	
Cable entries	4 M20x1,5 nickel plated brass cable glands (included) Standard cable diameter 5-10mm	
Wiper	Available	
Weight		
Model	Unit [kg]	Package [kg]
254SH-L/254SHIR-L	27	32
254WW-L	28	33

ELECTRICAL

Thermostatically controlled heater	T[°C] ON = 12 ± 4°C, T[°C] OFF = 20 ± 3°C
Available voltages	24VAC/DC, 230VAC (+/-10%)
Power consumption	10W
Max Power consumption	35W

CERTIFICATIONS

Ingress Protection (EN 60529)	IP66/IP67
EMC	EN 50130-4; EN/IEC 61000-6-2; EN/IEC 61000-6-4
LVD	EN 60950-1; EN 60950-22
RoHS	2011/65/EU + 2015/863/EU (RoHS 3)
WEEE	2012/19/EU

MODELS

254SH-L/24¹	Fixed camera housing, LONG size, with sunshield and 24VAC/DC heater
254SH-L/230¹	Fixed camera housing, LONG size, with sunshield and 230VAC heater
254WW-L/24D¹	Fixed camera housing, LONG size, with sunshield, heater and wiper, 24VDC
254SHIR155-L/24³	Fixed camera housing, LONG size, with sunshield and 24VAC/DC heater. Germanium window Ø: 155mm
254SHIR155-L/230³	Fixed camera housing, LONG size, with sunshield and 230VAC heater. Germanium window Ø: 155mm

¹ Usable front window diameter: 200 mm, thickness: 5 mm

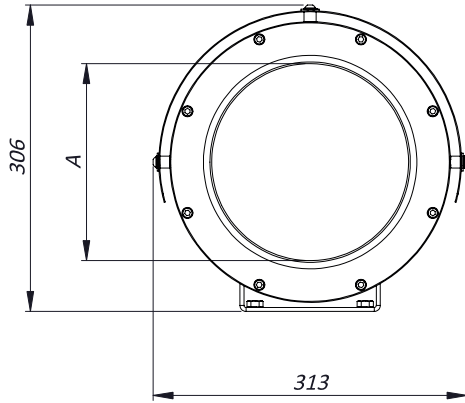
³ Usable front window diameter: 155 mm, thickness: 5 mm. Germanium, AR/DLC coating

ACCESSORIES

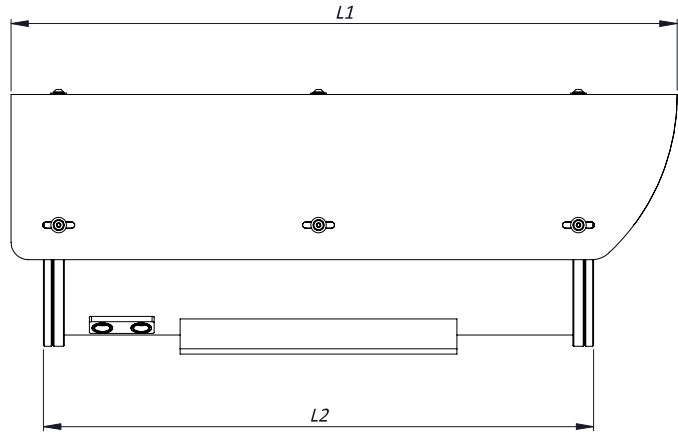
SSBK-XL	Wall mounting bracket
SSPM-M	Pole mount adapter for SSBK-XL
RX24IO/24D	Telemetry receiver for wash/wipe models, RS485, PELCO D protocol. 12VDC, 1A output for camera supply. Operating voltage: 24VDC
PSU01	Power supply 230VAC/24VAC installed inside the housing.
PSU02	Power supply 115-230VAC/12VDC installed inside the housing.

DIMENSIONS

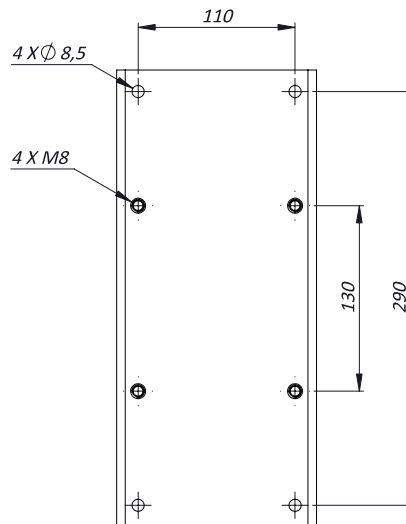
FRONT VIEW



SIDE VIEW



MOUNTING PATTERN



FOR "A" VALUES CHECK "MODELS" SECTION

MAX EXTERNAL LENGTH

Model	L1 [mm]	L2 [mm]
254SH-L/254HIR-L	870	736
254WW-L	805	736

MAX INTERNAL USABLE AREA

Model	Max internal dimensions [mm]	Max usable internal diameter [mm]
254SH-L/254HIR-L	176x174x545	211
254WW-L	176x174x545	191