

# TECNOVIDEO

CCTV SYSTEMS AND ACCESSORIES

## 204 SERIES

STAINLESS STEEL CAMERA STATION

SAFE AREA

AISI316L STAINLESS STEEL CONSTRUCTION  
FOR USE IN HIGHLY CORROSIVE ENVIRONMENTS  
EASY INSTALLATION AND MAINTENANCE  
INTEGRATED WIPER VERSION AVAILABLE  
WEATHERPROOF STANDARD IP66/IP67  
SUITABLE FOR ANALOG AND IP CAMERAS  
DAY/NIGHT AND IR THERMAL VERSIONS AVAILABLE  
REFINED AND MODERN DESIGN



204WW CAMERA HOUSING WITH SUNSHIELD, HEATER AND WIPER

## TECHNICAL SPECIFICATIONS

### GENERAL & MECHANICAL

|                              |   |
|------------------------------|---|
| <b>Dimensions</b>            | See drawings next page  |
| <b>Operating Temperature</b> | -20° +75°C (-4° +167° F)  |
| <b>Construction</b>          | AISI316L Stainless Steel  |
| <b>Finish</b>                | Electro-polished  |
| <b>Mounting</b>              | See drawings next page  |
| <b>Cable entries</b>         | 4 M20x1,5 nickel plated brass cable glands (included)<br>Standard cable diameter 5-10mm |

| Weight        |           |              |
|---------------|-----------|--------------|
| Model         | Unit [kg] | Package [kg] |
| 204SH/204SHIR | 13        | 15           |
| 204WW/204WWIR | 15        | 17           |

### ELECTRICAL

|   |   |
|---|---|
| <b>Thermostatically controlled heater</b> |   |
| <b>T[°C] ON</b>                           | = 12 ± 4°C, <b>T[°C] OFF</b> = 20 ± 3°C |
| <b>Available voltages</b>                 | 24VUC (24V~/V~), 230V~ (+/-10%)         |
| <b>Power consumption</b>                  | 15W                                     |

|                           |               |
|---------------------------|---------------|
| <b>Wiper</b>              |               |
| <b>Available voltages</b> | 24V= (+/-10%) |
| <b>Power consumption</b>  | 4W            |

### CERTIFICATIONS

|                                     |   |
|-------------------------------------|---|
| <b>Ingress Protection(EN 60529)</b> | IP66/IP67   |
| <b>EMC</b>                          | EN 61000-6-3:2007;<br>EN 50130-4:1995 + A1:1998 + A2:2003 |
| <b>LVD</b>                          | EN 60950-1:2006 + A11:2009                                |
| <b>RoHS</b>                         | 2011/65/EU  |
| <b>WEEE</b>                         | 2012/19/EU  |

### MODELS

|                                   |   |
|-----------------------------------|---|
| <b>204SH/24<sup>1</sup></b>       | Housing + sunshield + heater. Supply voltage: 24VUC   |
| <b>204WW/24D<sup>2</sup></b>      | Housing + sunshield + heater + integrated wiper. 24V= |
| <b>204SHIR70/24<sup>3</sup></b>   | Housing + sunshield + heater. Supply voltage: 24VUC   |
| <b>204SHIR70/230<sup>3</sup></b>  | Housing + sunshield + heater. Supply voltage: 230V~   |
| <b>204WWIR70/24D<sup>3</sup></b>  | Housing + sunshield + heater + integrated wiper. 24V= |
| <b>204SHIR110/24<sup>4</sup></b>  | Housing + sunshield + heater. Supply voltage: 24VUC   |
| <b>204SHIR110/230<sup>4</sup></b> | Housing + sunshield + heater. Supply voltage: 230V~   |
| <b>204WWIR110/24D<sup>4</sup></b> | Housing + sunshield + heater + integrated wiper. 24V= |
| <b>204SHIR145/24<sup>5</sup></b>  | Housing + sunshield + heater. Supply voltage: 24VUC   |
| <b>204SHIR145/230<sup>5</sup></b> | Housing + sunshield + heater. Supply voltage: 230V~   |

- <sup>1</sup> Usable front window diameter: 145 mm, thickness: 5 mm  
<sup>2</sup> Usable front window diameter: 120 mm, thickness: 12 mm. Vandal resistant glass  
<sup>3</sup> Usable front window diameter: 70 mm, thickness: 3 mm. Germanium, AR/DLC coating  
<sup>4</sup> Usable front window diameter: 110 mm, thickness: 3 mm. Germanium, AR/DLC coating  
<sup>5</sup> Usable front window diameter: 145 mm, thickness: 3 mm. Germanium, AR/DLC coating

### MOUNTING ACCESSORIES

|                |  |
|----------------|--|
| <b>SSBK204</b> | Wall mounting bracket with swivel joint for 204 Series |
| <b>SSPM204</b> | Pole mount adapter for SSBK204                         |

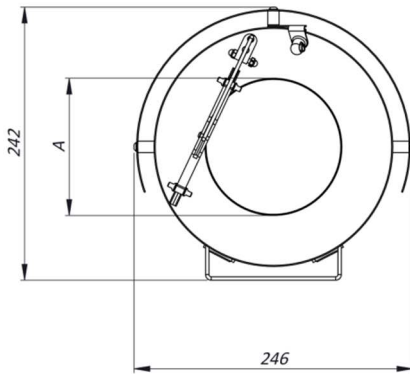
### ACCESSORIES AND SPARE PARTS

|               |   |
|---------------|---|
| <b>WB204</b>  | Wiper blade (complete assembly)   |
| <b>WBK204</b> | Wiper blade (only spare part: rubber blade and support)                           |
| <b>HK204</b>  | 15W heater kit (24VUC)  |
| <b>MK204</b>  | Maintenance kit with O-ring seals, screws seals, screws, hex keys, desiccant bags |

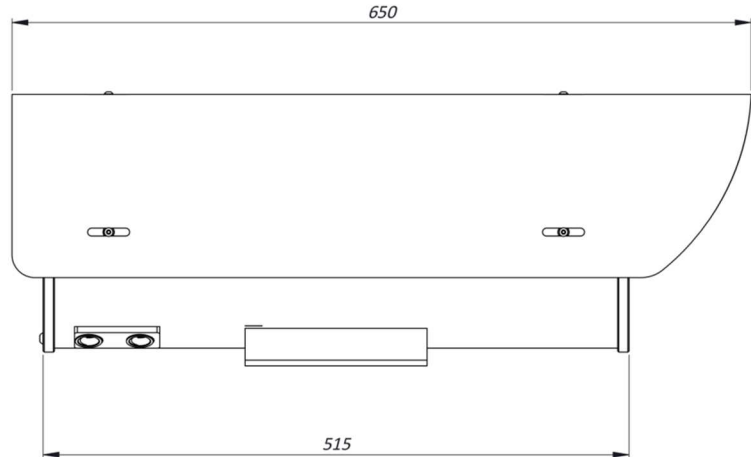
## STAINLESS STEEL CAMERA STATION

### DIMENSIONS

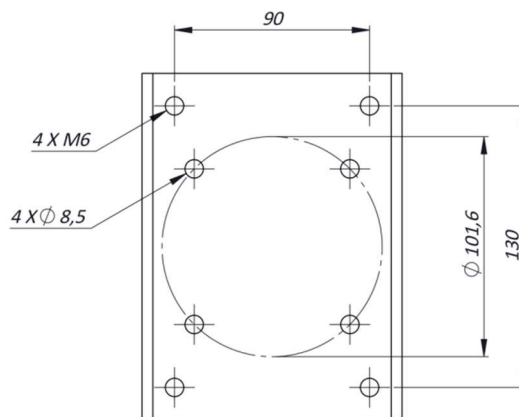
FRONT VIEW



SIDE VIEW



MOUNTING PATTERN



FOR "A" VALUES CHECK "MODELS" SECTION

### MAX INTERNAL USABLE AREA

| Model         | Max internal dimensions [mm] | Max usable internal diameter [mm] |
|---------------|------------------------------|-----------------------------------|
| 204SH/204SHIR | 130x130x348                  | 166                               |
| 204WW/204WWIR | 130x130x348                  | 164                               |