

TECNOVIDEO

CCTV SYSTEMS AND ACCESSORIES

118 SERIES

TUNNEL CAMERA HOUSING

SAFE AREA

- SPECIFICALLY DESIGNED FOR TUNNEL INSTALLATIONS
- AISI316L STAINLESS STEEL CONSTRUCTION
- ELONGATED FRONT TUBE PROTECTION
- DIRT RESISTANT WINDOW WITH SPECIAL COATING
- 3-AXIS WALL/CEILING MOUNTING BRACKET
- WEATHERPROOF STANDARD IP66/IP67
- FOR USE IN HIGHLY CORROSIVE ENVIRONMENTS



TECHNICAL SPECIFICATIONS

GENERAL & MECHANICAL

Dimensions	See drawings next page
Operating Temperature	-40°C +60°C, +75°C peak (-40°F +140°F, +167°F peak)
Construction	AISI316L Stainless Steel
Finish	Electro-polished
Window	Dirt resistant glass with coating on both sides
Mounting	See drawings next page
Cable entries	2 M20x1,5 nickel plated brass cable glands (included) Standard cable diameter 5-10mm
Weight	5 kg

ELECTRICAL

Thermostatically controlled heater	T[°C] ON = 12 ± 4°C, T[°C] OFF = 20 ± 3°C
Available voltages	24 VAC/VDC, 230 VAC (+/-10%)
Power consumption	8W

CERTIFICATIONS

Ingress Protection (EN 60529)	IP66/IP67
EMC	EN 50130-4; EN/IEC 61000-6-2; EN/IEC 61000-6-4
LVD	EN 60950-1; EN 60950-22
RoHS	2011/65/EU + 2015/863/EU (RoHS 3)
WEEE	2012/19/EU

MODELS

118PTR	Fixed camera housing, with dirt resistant window and 3-axis wall mount
118PTRH/24	Fixed camera housing, with dirt resistant window and 3-axis wall mount and heater, 24VAC
118PTRH/230	Fixed camera housing, with dirt resistant window and 3-axis wall mount and heater, 230VAC

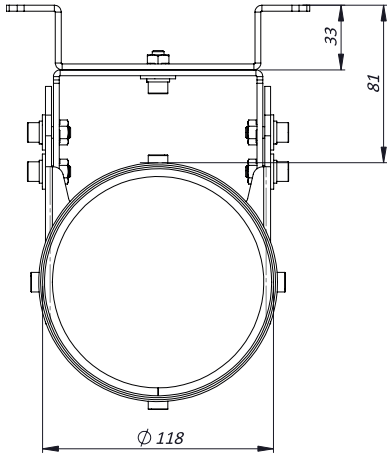
ACCESSORIES

SSPM-S	Pole mount adapter.
SK118	Sunshield kit for 118 series camera housings (for installation outside tunnels)

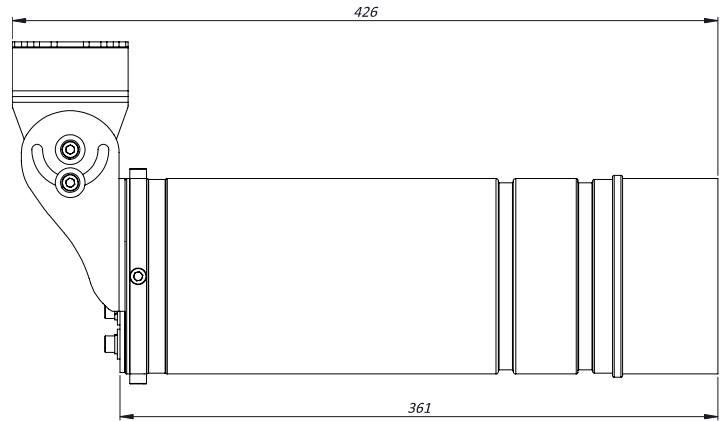
TUNNEL CAMERA HOUSING

DIMENSIONS

FRONT VIEW

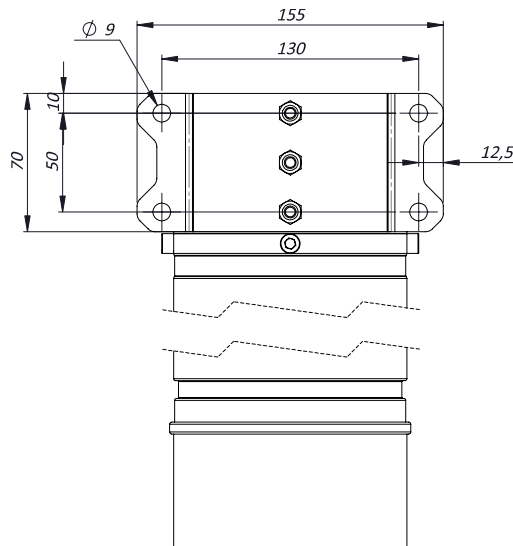


SIDE VIEW



MAX INTERNAL DIMENSIONS [mm]: 84x65x210

MOUNTING PATTERN



MAX EXTERNAL LENGTH

Model	L1 [mm]	L2 [mm]
118PTR	426	361
118PTRH/24	426	361
118PTRH/230	426	361

MAX INTERNAL USABLE AREA

Model	Max internal dimensions [mm]	Max usable internal diameter [mm]
118PTR	84x65x210	/