

# Air barrier

For 129 Series Camera Housings



Preserve this manual as a reference for future needs.



Used electrical, electronic and stainless steel products should not be mixed with general waste.  
For proper treatment, recovery and recycling of old products, please take them to applicable collection points, in accordance with your national legislation and the Directives 2002/95/EC and 2002/96/EC.  
By disposing of these products correctly, you will help to save valuable resources and prevent any potential negative effects on human health and the environment which could otherwise arise from inappropriate waste handling.  
For more information about collection and recycling of old products, please contact your local municipality or your waste disposal service.  
Penalties may be applicable for incorrect disposal of this waste, in accordance with national legislation.

The manufacturer is not to be held responsible for any damage resulting from failure to observe the installation standards and the instructions contained in the present manual.

The descriptions and illustrations contained in the present manual are not binding. The manufacturer reserves the right to make any alterations deemed appropriate for the technical, manufacturing and commercial improvement of the product, while leaving the essential product features unchanged, at any time and without undertaking to update the present publication.

The manufacturer declines all responsibility for any consequences resulting from improper use of the product, or use which is different from that expected and specified in the present documents.

**TECNOVIDEO S.r.l.**

Via San L. Murialdo, 8 36030 Villaverla (VI) ITALY  
Tel. +39.0445.350444 Fax +39.0445.357259  
e-mail: [info@tecnovideocctv.com](mailto:info@tecnovideocctv.com) – [www.tecnovideocctv.com](http://www.tecnovideocctv.com)

## Installation manual

## DESCRIPTION

The **air barrier** is designed to protect front flange of 129 Series camera housings from the formation of dust and other deposits. With the air barrier is recommend the use of optional filter ABFL-01 to clean the air coming usually from a compressor.

## COMPATIBILITY

- 129ABIR70** Camera housing (L=360 mm) with front window air barrier. Sunshield and heater optional. UFW: 70 mm
- 129ABIR70-L** Camera housing (L=460 mm) with front window air barrier. Sunshield and heater optional. UFW: 70 mm

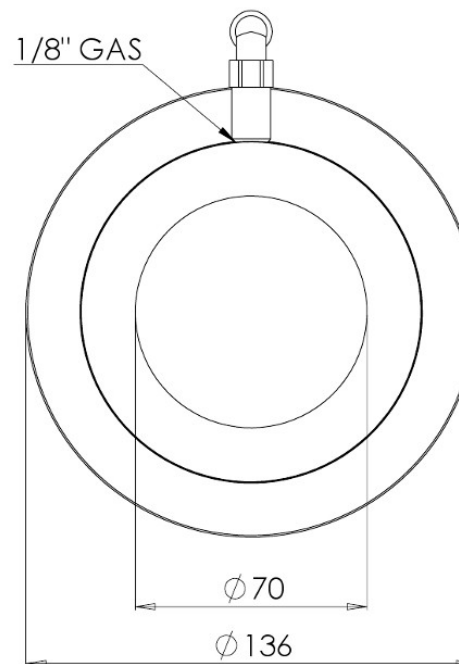
UFW: Usable front window diameter

## TECHNICAL DATA

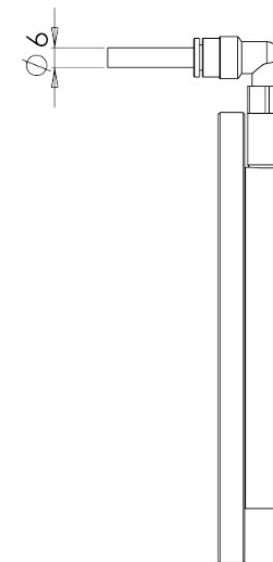
Air inlet through 1/8" GAS threaded hole  
Included super-rapid fitting (inlet  $\varnothing 6$ )  
Dimensions  $\varnothing 136 \times 20$  mm  
Weight 1 kg  
Max air pressure 3 bar

## DIMENSIONS

### FRONTAL VIEW



### SIDE VIEW



Dimensions in millimetres – Tolerances according QMS – Design and product specifications subject to change without notice