

101W Series

Compact Stainless Steel Camera Housing
with wall mounting bracket



Installation manual

DESCRIPTION

The **101W Series** camera housing is constructed entirely from AISI316L stainless steel, for use in industrial and marine environments and in general where a corrosive atmosphere can cause a rapid deterioration of a standard aluminium-steel housing. Sunshield, thermostatically controlled heater and ceiling mounting bracket are included.

MODELS

101W	Housing length=120mm
101W-L	Housing length=200mm
101WIR50	Housing length=120mm with 50mm germanium window
101WIR50-L	Housing length=200mm with 50mm germanium window
101WIR70	Housing length=120mm with 70mm germanium window
101WIR70-L	Housing length=200mm with 70mm germanium window



CERTIFICATIONS

Weatherproof standard: IP67

EN 61000-6-3:2007 and 50130-4:1995 + A1:1998 + A2:2003 (EMC – Electromagnetic Compatibility)

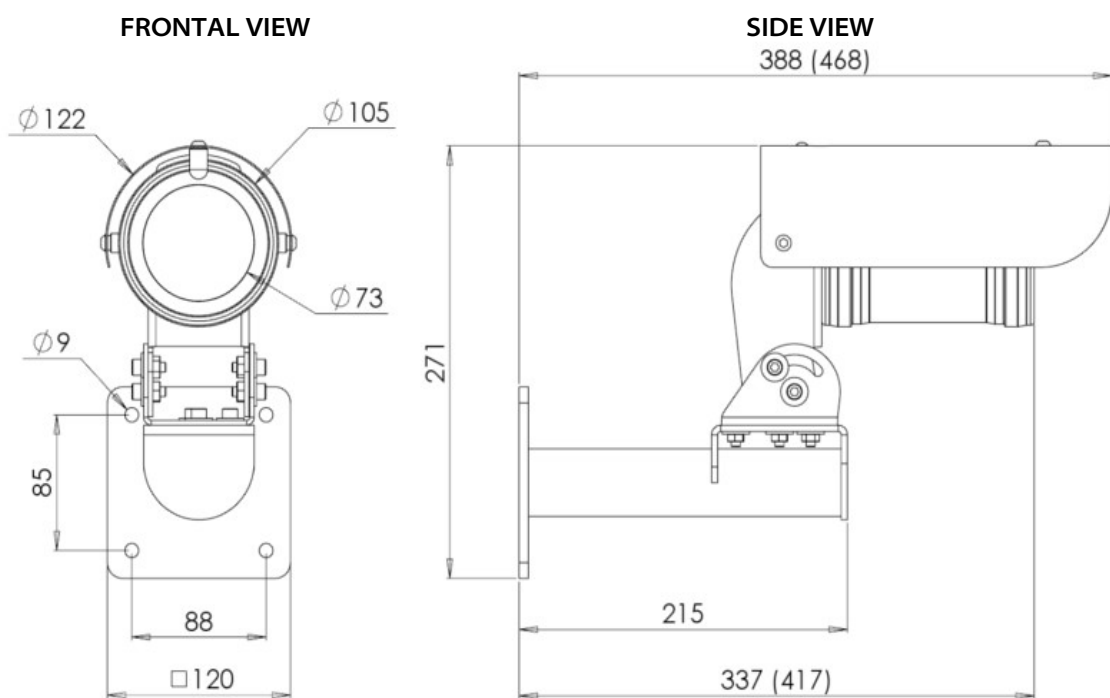
60950-1:2006 + A11:2009 (LVD – Safety)

INSTALLING THE CAMERA

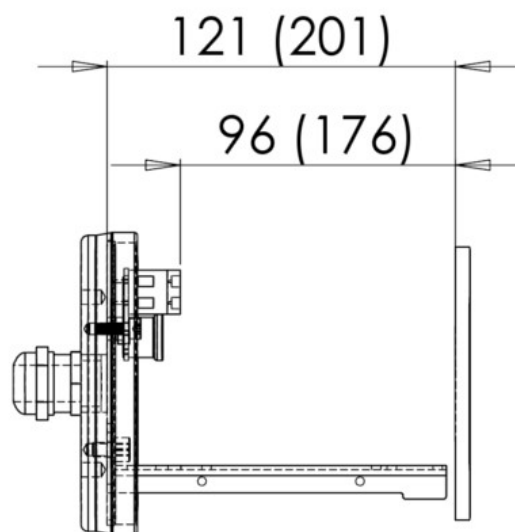
	Prior to installation and operation, read carefully all instructions the in this manual and heed all warnings.
	Unpack this equipment and handle it carefully. If the package appears to be damaged, notify the shipper immediately.
	Use the original packaging to transport the unit. Disconnect power supply before moving it. In case of returning the equipment, the original packaging must be used.
	Make sure that the installation surface can support at least four times the weight of the unit in normal operating conditions. In case of excessive external stress (e.g. vibration, strong winds or impact), the equipment may need additional means of protection.
	Proper stainless steel hardware should be carefully chosen to fasten the unit to the surfaces. Proper tools should be used during the installation, in accordance to environmental requirements.
	Use caution when lifting and assembling the unit. It is recommended that non-slip protective gloves be worn during installation. The unit could bear sharp edges.
	To maintain the IP rating of the unit, adequate cable glands must be used. The unit must be tightly closed when operating.
	For security reasons, do not install the unit in the proximity of water containers and never push objects or pour liquids into the unit. The unit can be safely used in damp environments or outdoors, as long as the connectors are properly sealed.
	Video and data cables should not share the same conduit with supply voltage cables. Whenever EMC is an issue, adequately shielded cables must be used.
	Open only the covers pointed out in this installation manual. Other covers should be open only by the manufacturer. Tightening/loosing the screws using automatic tools such as drill drivers may result in damaged threads.
	This equipment has been designed to fit in harsh environments requiring little or no maintenance. Suggested inspection interval is 6 months, but extremely harsh environments may require more frequent inspection and maintenance checks. On each inspection check the O-ring seals. Replace if necessary.
	Check cables, electrical connections and mounting hardware for integrity and tightness. Replace or tighten any damaged/loose part.
	Operating temperature: -20° +55° C (-4° +131° F).
	Before performing any operation, turn off the power. The installation of the unit can be performed only by qualified personnel in accordance with the regulations in force. Do not connect the unit to a supply circuit unless the installation is completed.
	Check carefully the supply voltage marked on the label. Incorrect Power Supply Voltage may damage the unit. Do not overload the terminal connection, as it may cause a fire or electrical shock hazard.
	An all-pole mains switch with an opening distance between the contacts at least 3 mm in each pole must be incorporated in the electrical installation. The switch must be equipped with protection against the fault current towards the ground (differential) and the overcurrent (magnetothermal, maximum 15A). It must be very quickly recognizable and readily accessible. A suitable blow fuse must also be installed for protection.
	For connection to the mains, use a multipolar cable having minimum 3x1,5 mm ² (15 AWG). The main cable must be at least protected by an ordinary PVC sheath.
	Fasten all the cables inside the housing with cables ties or other fixing means to avoid the electrical contact with surrounding parts in case that terminal blocks screw off.
Electrical connections (such as plugs and cords) must be protected from potential hazardous environmental factors (e.g. foot traffic, hitting objects).	
Ensure that the unit case is properly earthed, connecting all the earth ground studs. Earth cable should be about 10mm longer than the other cables on the connector, in such way that it won't be accidentally disconnected if the cable is stretched or pulled.	
When leaving the unit unused for long periods, disconnect supply cables.	

1. Fix the housing's bracket to the wall using suitable screws.
2. Loose the three sunshield's screws and remove the sunshield, sliding it forward and pulling it up.
3. Rotate the housing cylindrical body anticlockwise. DO NOT REMOVE the front window cover.
4. Mount the camera on the internal rail using the 1/4" screw supplied. Feed the cables through the cable gland and perform the electrical and video connections according to the instructions in the camera installation manual. Tighten the cable gland up till an 8 Nm torque ratio.
5. Screw the housing cylindrical body on the rear flange to close the housing. Check the proper position of the seal in its groove on the rear flange.
6. Fit the housing in the desired position and tighten the swivel joint screws.

DIMENSIONS



101W: Housing with wall mounting bracket (dimensions in brackets refer to model 101W-L)



Internal dimensions



Preserve this manual as a reference for future needs.

Here you can find the always up-to-date pdf version of this document:



Used electrical, electronic and stainless steel products should not be mixed with general waste.
For proper treatment, recovery and recycling of old products, please take them to applicable collection points, in accordance with your national legislation and the Directives 2002/95/EC and 2002/96/EC.
By disposing of these products correctly, you will help to save valuable resources and prevent any potential negative effects on human health and the environment which could otherwise arise from inappropriate waste handling.
For more information about collection and recycling of old products, please contact your local municipality or your waste disposal service.
Penalties may be applicable for incorrect disposal of this waste, in accordance with national legislation.

The manufacturer declines all liability for any consequence resulting from improper installation practices, tampering or improper uses of the product.

The descriptions and illustrations contained in this manual are not binding. The manufacturer reserves the right to make any alterations deemed appropriate for the technical, manufacturing and commercial improvement of the product, while leaving the essential product features unchanged, at any time and without undertaking to update the present publication.