

NEXT PTZ WITH BOSCH CAMERA

INNOVATIVE EXPLOSIONPROOF PTZ CAMERA STATION

HAZARDOUS AREA

POWERED BY



- **INNOVATIVE PRODUCT, BEST IN CLASS TECHNOLOGY**
- CLASS1/DIV1 EXPLOSIONPROOF PTZ FOR HAZARDOUS LOCATIONS
- AISI316L STAINLESS STEEL CONSTRUCTION
- CERTIFICATION TEMPERATURE -76°F +176°F (-60°C + 80°C)
- INTEGRATED BOSCH DINION IP STARLIGHT CAMERA
- PREASSEMBLED 17X OR 50X HIGH QUALITY AUTOFOCUS ZOOM LENSES
- EDGE RECORDING
- INTEGRATED WINDOW WIPER
- VERY LOW POWER CONSUMPTION
- EASY MAINTENANCE
- IP68/69, NEMA 4X
- OPTIONAL BUILT-IN FIBER MEDIA CONVERTER
- OPTIONAL BUILT-IN IP OVER COAXIAL CONVERTER
- OPTIONAL BUILT-IN 120VAC POWER SUPPLY
- BVMS COMPATIBLE



TECHNICAL SPECIFICATIONS

GENERAL & MECHANICAL

Dimensions	See dimensions drawings
Operating Temperature	-40°C +60°C, +75°C peak (-40°F +140°F, +167°F peak)
Construction	AISI316L Stainless Steel
Finish	Electro-polished
Mounting	4x Ø11 on 195 PCD
Cable entries	1x M25x1,5 or 3/4in (adapter) (second cable entry available on demand)
Wiper	Yes
Pan Angle	360° (continuous rotation)
Pan Speed	0 – 40°/second
Pan Torque	20Nm (limited with safety device)
Tilt Angle	180° (+/-90°)
Tilt Speed	0 – 20°/second
Tilt Torque	20Nm (limited with safety device)
Rotation angle	Electronically adjustable limit switches
Backlash	<0,1°
Max preset accuracy	0,04°
Control protocol	Pelco D (RS485)
Weight	Unit: 79lb / Package: 90lb

ELECTRICAL

Temperature Climatization	
- Camera Housing	T[°C] ON = 54 ±7°F (12 ±4°C) T[°C] OFF = 68°F ± 5°F (20 ± 3°C)
- Gear motors	Electronically controlled de-icing
Available voltages	24VAC, 120VAC (+/-10%) 24VDC available on request
Power consumption	10W min (stationary and de-icing/heater/wiper off), 130W MAX

CERTIFICATIONS

Ingress Protection	EN 60529 (IP68/IP69), NEMA 4X
Rating	Class I, Division 1, Groups A, B, C and D T5/T4 -50°C ≤ Tamb ≤ +60°C/80°C (only for Canada) Class I, Division 1, Groups B, C and D T5/T4 -25°C ≤ Tamb ≤ +60°C/80°C (for US/Canada) Class II/III, Division 1, Groups E, F and G T5/T4 -40°C ≤ Tamb ≤ +60°C/80°C (for US/Canada)
North American Standards	FM Class 3615; FM Class 3810; ANSI/UL 61010-1; ANSI/UL 60079-0; ANSI/UL 60079-1; ANSI/ISA 60079-31; ANSI/UL 50E; ANSI/IEC 60529 CSA C22.2 No. 0.4; CSA C22.2 No. 0.5; CAN/CSA C22.2 No. 61010-1; CAN/CSA-C22.2 No. 60079-0; CAN/CSA-C22.2 No. 60079-1; CAN/CSA-C22.2 No. 60079-31; CSA C22.2 No. 94.2; CAN/CSA C22.2 No. 60529
IECEX Standards	IEC 60079-0; IEC 60079-1; IEC 60079-31
EMC	EN 55035; EN/IEC 61000-6-4; EN/IEC 61000-3-2; EN/IEC 61000-3-3; EN/IEC 61000-6-2; CISPR-32; CISPR-35
LVD	EN/IEC 62368-1
RoHS	2011/65/EU + 2015/863/EU (RoHS 3)
WEEE	2012/19/EU

CAMERA

LENS MODEL	DINION IP Starlight CAMERA SERIES	
	6000 HD (6)	7000 HD (7)
A50	6A50	7A50
K17	6K17	7K17

Please specify the camera + lens combination in the ordering code (see MODELS). For the complete camera specifications, please check the official Bosch camera datasheet.

(*) for more updated information pls visit original web site of camera manufacturer

INNOVATIVE EXPLOSIONPROOF PTZ CAMERA STATION

LENS

	A50	K17
Zoom Ratio	50x	17x
Focal Length	10 - 500mm	7.5 - 127mm
IR corrected	Yes	No
Focus	Automatic	Automatic
Horizontal Angle of View	38.9° - 0.84°	43.1° - 2.75°
Iris Range	F4.5 - 360	F1.6 - F2.7
Temperature Compensated	Yes	No

FIBER MEDIA CONVERTER

Interface	100 Base-FX/1000BASE-X
Cabling	Singlemode (9/125 μm) /two fibers/SC connector
Maximum Distance	20km
Wavelength	1310 nm

IP OVER COAXIAL CONVERTER

Interface	10/100 Base-TX over Coaxial Cable
Bandwidth	Up to 95Mbps downlink/uplink
Maximum Distance	1800m
Technology	Broadband over Power Lines (BPL)
Interference Prevention	IEEE 1901-2010 Inter-System Protocol ISP

MODELS

TXPUS1TBxyyy-IP-L	New Generation Explosionproof PTZ IP camera station with Bosch DINION, 24VAC
TXPUS2TBxyyy-IP-L	New Generation Explosionproof PTZ IP camera station with Bosch DINION,120VAC
TXPUS1TBxyyy-SM-L	New Generation Explosionproof PTZ IP camera station with Bosch DINION. SM FO Media converter, 24VAC
TXPUS2TBxyyy-SM-L	New Generation Explosionproof PTZ IP camera station with Bosch DINION. SM FO Media converter, 120VAC

- X: 6 = Dinion 6000, 7 = Dinion 7000

- YYY: K17 = 17x zoom lens, A50 = 50x zoom lens. For the ordering codes, please refer also to the CAMERA table

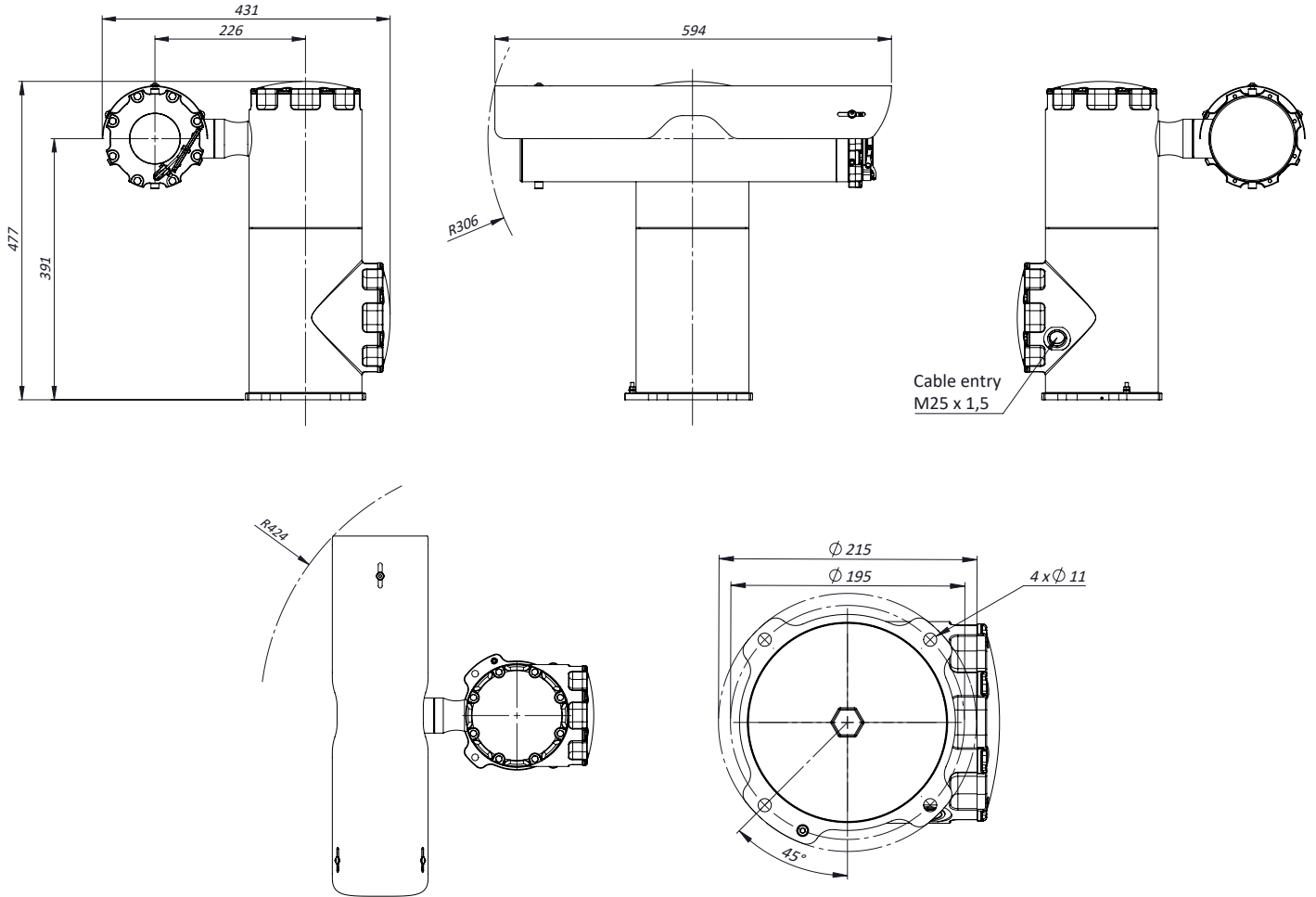
- for IP over COAXIAL converter replace the suffix "SM" with "CX"

ACCESSORIES

SSBK-L	Wall mounting bracket
---------------	-----------------------

INNOVATIVE EXPLOSIONPROOF PTZ CAMERA STATION

DIMENSIONS



The unit cannot be installed upside-down nor horizontally

*This is only an example of integration of Bosch Dinion cameras in Tecnovideo products.
Bosch Trademark and company logos, marks, product names and emblems are registered trademarks and belong to Robert Bosch GmbH.*

Dimensions in millimetres - Tolerances according QMS - Design and products specifications subject to change without notice - rev. 20240424