

NEXT DUAL VISIBLE & THERMAL PTZ WITH BOSCH

INNOVATIVE EXPLOSIONPROOF DAY/NIGHT AND THERMAL PTZ CAMERA STATION

HAZARDOUS AREA

POWERED BY



- **INNOVATIVE PRODUCT, BEST IN CLASS TECHNOLOGY**
- CLASS1/DIV1 EXPLOSIONPROOF PTZ FOR HAZARDOUS LOCATIONS
- AISI316L STAINLESS STEEL CONSTRUCTION
- CERTIFICATION TEMPERATURE -76°F +176°F (-60°C + 80°C)
- INTEGRATED BOSCH DINION IP STARLIGHT CAMERA
- PREASSEMBLED 17X OR 50X HIGH QUALITY AUTOFOCUS ZOOM LENSES
- INTEGRATED BOSCH 8000 LWIR THERMAL CAMERA
- DUAL INDEPENDENT VISIBLE AND THERMAL VIDEO STREAMS
- WIDE RANGE OF THERMAL LENSES
- INTEGRATED WINDOW WIPER (VISIBLE)
- VERY LOW POWER CONSUMPTION
- EASY MAINTENANCE
- IP68/69, NEMA 4X
- OPTIONAL BUILT-IN FIBER MEDIA CONVERTER
- OPTIONAL BUILT-IN 120VAC POWER SUPPLY
- BVMS COMPATIBLE



TECHNICAL SPECIFICATIONS

GENERAL & MECHANICAL

Dimensions	See dimensions drawings
Operating Temperature	-40°C +60°C, +75°C peak (-40°F +140°F, +167°F peak)
Construction	AISI316L Stainless Steel
Finish	Electro-polished
Window	Germanium HC coated 50mm (Thermal)
Mounting	4x Ø11 on 195 PCD
Cable entries	1x M25x1,5 or 3/4in (adapter) (second cable entry available on demand)
Wiper	Yes (visible)
Pan Angle	360° (continuous rotation)
Pan Speed	0 – 40°/second
Pan Torque	20Nm (limited with safety device)
Tilt Angle	180° (+/-90°)
Tilt Speed	0 – 20°/second
Tilt Torque	20Nm (limited with safety device)
Rotation angle	Electronically adjustable limit switches
Backlash	<0,1°
Max preset accuracy	0,04°
Control protocol	Pelco D (RS485)
Weight	Unit: 88lb / Package: 99lb

ELECTRICAL

Temperature Climatization	
- Camera Housing	T[°C] ON = 54 ±7°F (12 ± 4°C) T[°C] OFF = 68°F ± 5°F (20 ± 3°C)
- Gear motors	Electronically controlled de-icing
Available voltages	24VAC, 120VAC (+/-10%) 24VDC available on request
Power consumption	15W min (stationary and de-icing/heater/wiper off), 170W MAX

CERTIFICATIONS

Ingress Protection	EN 60529 (IP68/IP69), NEMA 4X
Rating	Class I, Division 1, Groups A, B, C and D T5/T4 -50°C ≤ Tamb ≤ +60°C/80°C (only for Canada) Class I, Division 1, Groups B, C and D T5/T4 -25°C ≤ Tamb ≤ +60°C/80°C (for US/Canada) Class II/III, Division 1, Groups E, F and G T5/T4 -40°C ≤ Tamb ≤ +60°C/80°C (for US/Canada)
North American Standards	FM Class 3615; FM Class 3810; ANSI/UL 61010-1; ANSI/UL 60079-0; ANSI/UL 60079-1; ANSI/ISA 60079-31; ANSI/UL 50E; ANSI/IEC 60529 CSA C22.2 No. 0.4; CSA C22.2 No. 0.5; CAN/CSA C22.2 No. 61010-1; CAN/CSA-C22.2 No. 60079-0; CAN/CSA-C22.2 No. 60079-1; CAN/CSA-C22.2 No. 60079-31; CSA C22.2 No. 94.2; CAN/CSA C22.2 No. 60529
EMC	EN 55035; EN/IEC 61000-6-4; EN/IEC 61000-3-2; EN/IEC 61000-3-3; EN/IEC 61000-6-2; CISPR-32; CISPR-35
LVD	EN/IEC 62368-1
RoHS	2011/65/EU + 2015/863/EU (RoHS 3)
WEEE	2012/19/EU

CAMERA

LENS MODEL	DINION IP Starlight CAMERA SERIES	
	6000 HD (6)	7000 HD (7)
A50	6A50	7A50
K17	6K17	7K17

Please specify the camera + lens combination in the ordering code (see MODELS). For the complete camera specifications, please check the official Bosch camera datasheet.

(*) for more updated information pls visit original web site of camera manufacturer

LENS (VISIBLE)

	A50	K17
Zoom Ratio	50x	17x
Focal Length	10 - 500mm	7.5 - 127mm
IR corrected	Yes	No
Focus	Automatic	Automatic
Horizontal Angle of View	38.9° - 0.84°	43.1° - 2.75°
Iris Range	F4.5 - 360	F1.6 - F2.7
Temperature Compensated	Yes	No

CAMERA (THERMAL)

Sensor	VOx Microbolometer, 17µm, uncooled
Resolution	320x240 or 640x480 pixels
Spectral Band	LWIR
Compression	H.264/MJPEG
Streaming	Up to four streams
Frame Rate	9fps or 60fps (QVGA), 9fps or 30fps (VGA)
Focus Settings	Fixed manual focus, minimum focus distance, depending on models
Sensitivity	<50 mK
Analytics	check manufacturer's data sheet for updated VCA functions
Edge Recording	microSD (card not provided)

Lens	FOV (HxV)	FOV (HxV)
	320x240	640x480
7.5mm	41.8°x30°	
9mm		70°x52°
16.7mm		37.5°x28°
19mm	16°x12°	
35mm		17.6°x13.2°

NETWORK

Interface	100BASE-TX or 100BASE-FX/1000BASE-X (fiber)
Security	User Authentication/HTTPS/IEEE 802.1x
ONVIF	ONVIF profile S/G
Protocols	"Pv4, IPv6, UDP, TCP, HTTP, HTTPS, RTP/RTCP, IGMP V2/V3, ICMP, ICMPv6, RTSP, FTP, ARP, DHCP, APIPA (Auto-IP, link local address), NTP (SNTP), SNMP (V1, V3, MIB-II), 802.1x, DNS, DNSv6, DDNS (DynDNS.org, selfHOST.de, noip.com), SMTP, iSCSI, UPnP (SSDP), DiffServ (QoS), LLDP, SOAP, Dropbox™, CHAP, digest authentication"

FIBER MEDIA CONVERTER

Interface	100 Base-FX/1000BASE-X
Cabling	Singlemode (9/125 µm) /two fibers/SC connector
Maximum Distance	20km
Wavelength	1310 nm

MODELS

TXPUSD1TBxyyy-TBxx-IP-L	New Generation Explosionproof DUAL PTZ IP camera station based on Bosch visible and thermal cameras, 24VAC
TXPUSD2TBxyyy-TBxx-IP-L	New Generation Explosionproof DUAL PTZ IP camera station based on Bosch visible and thermal cameras, 120VAC
TXPUSD1TBxyyy-TBxx-SM-L	New Generation Explosionproof DUAL PTZ IP camera station based on Bosch visible and thermal cameras, SM FO Media Converter, 24VAC
TXPUSD2TBxyyy-TBxx-SM-L	New Generation Explosionproof DUAL PTZ IP camera station based on Bosch visible and thermal cameras, SM FO Media Converter, 120VAC

(+) Gridless version available on request

To order the required camera configuration, please replace "TBxx" with the TB number indicated in the table.

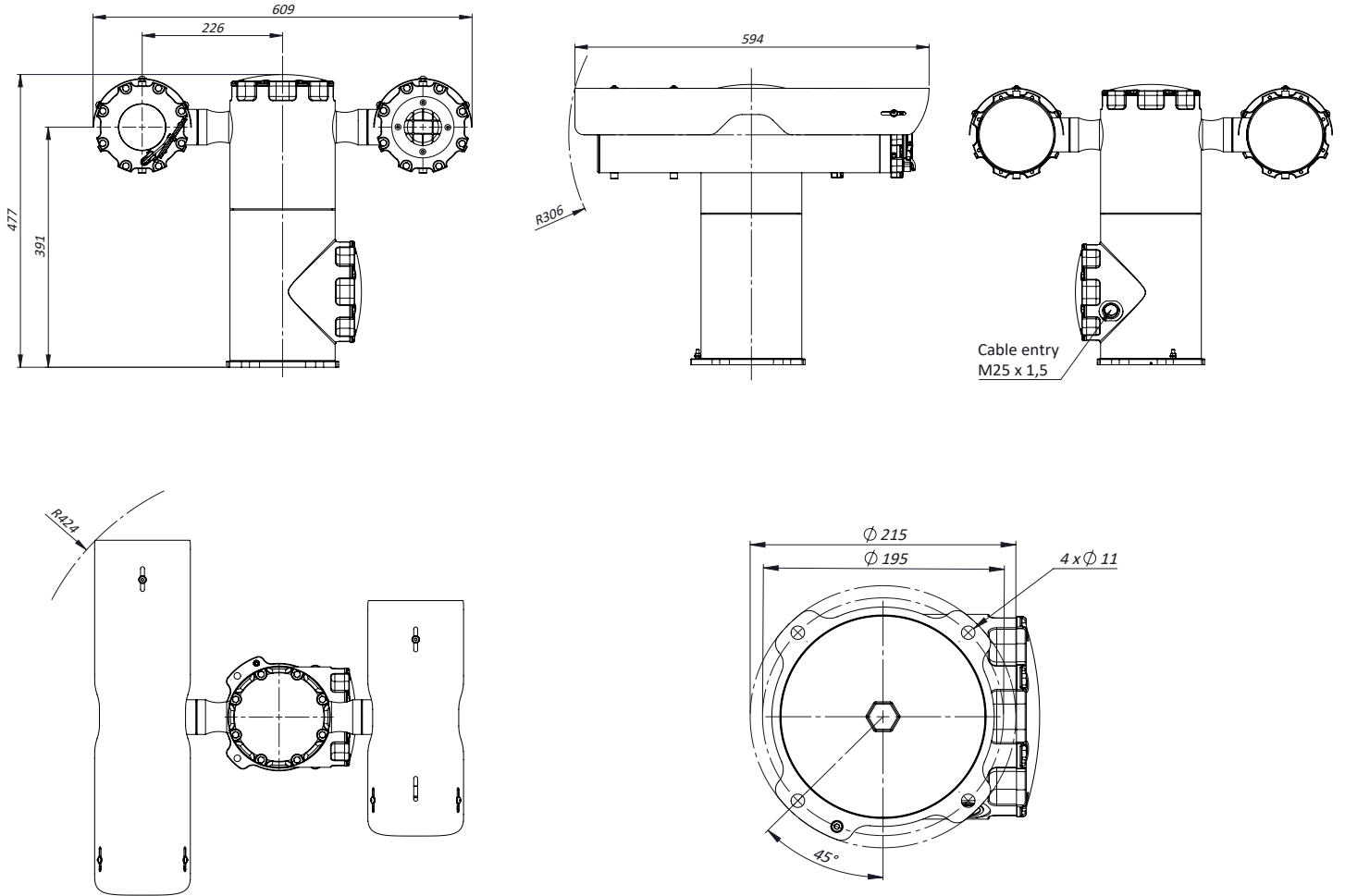
CAMERA MODEL SELECTION TBXX

	320x240		640x480	
	9Hz	25Hz	9Hz	25Hz
7.5mm	TB01	TB11		
9mm			TB22	TB32
16.7mm			TB23	TB33
19mm	TB04	TB14		
35mm			TB26	TB36

ACCESSORIES

SSBK-L	Wall mounting bracket
---------------	-----------------------

DIMENSIONS



Dimensions in millimetres - Tolerances according QMS - Design and products specifications subject to change without notice - rev. 20240423