

## NEXT PTZ 4K IRLED

INNOVATIVE EXPLOSIONPROOF PTZ CAMERA STATION WITH IR LED

HAZARDOUS AREA

- **INNOVATIVE PRODUCT, BEST IN CLASS TECHNOLOGY**
- ATEX/IECEX/UKCA/INMETRO EXPLOSIONPROOF PTZ FOR HAZARDOUS LOCATIONS
- AISI316L STAINLESS STEEL CONSTRUCTION
- CERTIFICATION TEMPERATURE -60°C +60°C
- 4K (8MP), H.265, 22X AUTOFOCUS OPTICAL ZOOM
- EIS ELECTRONIC IMAGE STABILIZER
- EDGE RECORDING
- IR LED ILLUMINATOR
- INTEGRATED WINDOW WIPER
- VERY LOW POWER CONSUMPTION
- EASY MAINTENANCE
- IP66/67/68/69, NEMA 4X
- OPTIONAL BUILT-IN FIBER MEDIA CONVERTER
- OPTIONAL BUILT-IN IP OVER COAX CONVERTER
- OPTIONAL BUILT-IN 120VAC OR 230VAC POWER SUPPLY
- H2-READY
- CYBER SECURITY FEATURES
- NDAA COMPLIANT



## TECHNICAL SPECIFICATIONS

### GENERAL & MECHANICAL

<b>Dimensions</b>	See dimensions drawings
<b>Operating Temperature</b>	-60°C +60°C (-76°F +140°F)
<b>Construction</b>	AISI316L Stainless Steel
<b>Finish</b>	Electro-polished
<b>Mounting</b>	4x Ø11 on 195 PCD
<b>Cable entries</b>	1x M25x1,5 (second cable entry available on demand)
<b>Wiper</b>	Yes (camera)
<b>Pan Angle</b>	360° (continuous rotation)
<b>Pan Speed</b>	0 – 40°/second
<b>Pan Torque</b>	20Nm (limited with safety device)
<b>Tilt Angle</b>	180° (+/-90°)
<b>Tilt Speed</b>	0 – 20°/second
<b>Tilt Torque</b>	20Nm (limited with safety device)
<b>Rotation angle</b>	Electronically adjustable limit switches
<b>Backlash</b>	<0,1°
<b>Max preset accuracy</b>	0,04°
<b>Control protocol</b>	Pelco D (RS485)
<b>Weight</b>	Unit: 39kg / Package: 44kg

### ELECTRICAL

<b>Temperature Climatization</b>	
- Camera Housing	T[°C] ON = 12 ± 4°C, T[°C] OFF = 20 ± 3°C
- Gear motors	Electronically controlled de-icing
<b>Available voltages</b>	24VAC, 120VAC, 230VAC (+/-10%) 24VDC available on request
<b>Power consumption</b>	10W min (stationary and de-icing/heater/ wiper/illuminator off), 155W MAX

### CERTIFICATIONS

<b>Ingress Protection</b>	EN 60529 (IP66/IP67/IP68/IP69), NEMA 4X
---------------------------	---

<b>Rating</b>	II 2 G Ex db IIC T5/4 Gb -60°C ≤ Tamb ≤ +40/60°C II 2 D Ex tb IIIC T100/135°C Db -60°C ≤ Tamb ≤ +40/60°C
<b>Vibrations and Shock</b>	EN/IEC 60068-2-6; EN/IEC 60068-2-27; DNV-CG-0339
<b>ATEX/UKEX Standards</b>	EN 60079-0; EN 60079-1; EN 60079-31
<b>IECEX Standards</b>	IEC 60079-0; IEC 60079-1; IEC 60079-31
<b>EMC</b>	EN 55035; EN/IEC 61000-6-4; EN/IEC 61000-3-2; EN/IEC 61000-3-3; EN/IEC 61000-6-2; CISPR-32; CISPR-35; DNV-CG-0339
<b>LVD</b>	EN/IEC 62368-1
<b>FCC</b>	FCC part 15B
<b>RoHS</b>	2011/65/EU + 2015/863/EU (RoHS 3)
<b>WEEE</b>	2012/19/EU
<b>INMETRO</b>	ABNT NBR IEC 60079-0; ABNT NBR IEC 60079-1; ABNT NBR IEC 60079-31

### VIDEO/CAMERA

<b>Sensor</b>	1/1.8" Sony Progressive CMOS, 8MP
<b>Resolution</b>	Up to 3864x2180 (4K)
<b>Compression</b>	H.265/H.264/MJPEG
<b>Streaming</b>	Up to 4 configurable streams
<b>Frame Rate</b>	60fps (WDR off), 30 fps (WDR on)
<b>Sensitivity</b>	Color: 0.04 lux, B/W: 0.002 lux
<b>Shutter Speed</b>	1 to 1/10000 s
<b>Optical Filter</b>	Automatically removable IR-cut filter
<b>White Balance</b>	Contrast White Balance
<b>Dynamic range</b>	WDR/HDR
<b>Lens</b>	22x Optical Zoom Auto Focus, 10x Digital, focal Length 6.4-138.5 mm
<b>Analytics</b>	Motion Detection/Tampering, OPTIONAL: intrusion detection, wrong direction, object removal, sabotage, loitering, stopped vehicle, object counting
<b>Image settings</b>	Color, Brightness, Sharpness, Contrast, White Balance, Exposure control, 2D/3D Noise Reduction

## INNOVATIVE EXPLOSIONPROOF PTZ CAMERA STATION WITH IR LED

<b>Event Triggers</b>	External Input, Analytics, Network Failure Detection, Periodical Event, Manual Trigger
<b>Event Actions</b>	External Output Activation
<b>Edge Recording</b>	Micro SD/SDHC/SDXC (card not provided)
<b>Network Storage</b>	Support for recording to NAS
<b>SNR</b>	>50dB
<b>Noise Reduction</b>	3D Motion Compensated Noise Reduction
<b>Iris</b>	P-Iris, Auto-Iris
<b>Image Stabilization</b>	EIS

### NETWORK

<b>Interface</b>	100BASE-TX/1000BASE-T or 100BASE-FX/1000BASE-X (fiber)
<b>Security</b>	User Authentication/ HTTPS/ IP Filter/ IEEE 802.1x/ SNMPv3
<b>ONVIF</b>	ONVIF profile G/S/T/M compliant
<b>Protocols</b>	IPv4/v6, TCP, UDP, RTP, RTSP, HTTP, HTTPS, ICMP, FTP, SMTP, DHCP, PPPoE, UPnP, IGMP, SNMP, QoS, ARP, NTP

### LED ILLUMINATOR

<b>LED</b>	14x SMD LED
<b>Wavelength</b>	850nm
<b>Beam patterns</b>	15° or 34° circular beams

### FIBER MEDIA CONVERTER

<b>Interface</b>	100 Base-FX/1000BASE-X
<b>Cabling</b>	Singlemode (9/125 μm) /two fibers/SC connector
<b>Maximum Distance</b>	20km
<b>Wavelength</b>	1310 nm

### IP OVER COAXIAL CONVERTER

<b>Interface</b>	10/100 Base-TX over Coaxial Cable
<b>Bandwidth</b>	Up to 95Mbps downlink/uplink
<b>Maximum Distance</b>	1800m
<b>Technology</b>	Broadband over Power Lines (BPL)
<b>Interference Prevention</b>	IEEE 1901-2010 Inter-System Protocol ISP

### MODELS

<b>TXP1TV4-15LED-IP-S</b>	New Generation Explosionproof PTZ IP camera station 4K 22x, IR LED Illuminator 15° beam, 24VAC
<b>TXP2TV4-15LED-IP-S</b>	New Generation Explosionproof PTZ IP camera station 4K 22x, IR LED Illuminator 15° beam, 120VAC
<b>TXP3TV4-15LED-IP-S</b>	New Generation Explosionproof PTZ IP camera station 4K 22x, IR LED Illuminator 15° beam, 230VAC
<b>TXP1TV4-15LED-SM-S</b>	New Generation Explosionproof PTZ IP camera station 4K 22x, IR LED Illuminator 15° beam, SM FO Media Converter, 24VAC
<b>TXP2TV4-15LED-SM-S</b>	New Generation Explosionproof PTZ IP camera station 4K 22x, IR LED Illuminator 15° beam, SM FO Media Converter, 120VAC
<b>TXP3TV4-15LED-SM-S</b>	New Generation Explosionproof PTZ IP camera station 4K 22x, IR LED Illuminator 15° beam, SM FO Media Converter, 230VAC
<b>TXP1TV4-34LED-IP-S</b>	New Generation Explosionproof PTZ IP camera station 4K 22x, IR LED Illuminator 34° beam, 24VAC
<b>TXP2TV4-34LED-IP-S</b>	New Generation Explosionproof PTZ IP camera station 4K 22x, IR LED Illuminator 34° beam, 120VAC
<b>TXP3TV4-34LED-IP-S</b>	New Generation Explosionproof PTZ IP camera station 4K 22x, IR LED Illuminator 34° beam, 230VAC

<b>TXP1TV4-34LED-SM-S</b>	New Generation Explosionproof PTZ IP camera station 4K 22x, IR LED Illuminator 34° beam, SM FO Media Converter, 24VAC
<b>TXP2TV4-34LED-SM-S</b>	New Generation Explosionproof PTZ IP camera station 4K 22x, IR LED Illuminator 34° beam, SM FO Media Converter, 120VAC
<b>TXP3TV4-34LED-SM-S</b>	New Generation Explosionproof PTZ IP camera station 4K 22x, IR LED Illuminator 34° beam, SM FO Media Converter, 230VAC

- for IP over COAXIAL converter replace the suffix "SM" with "CX"

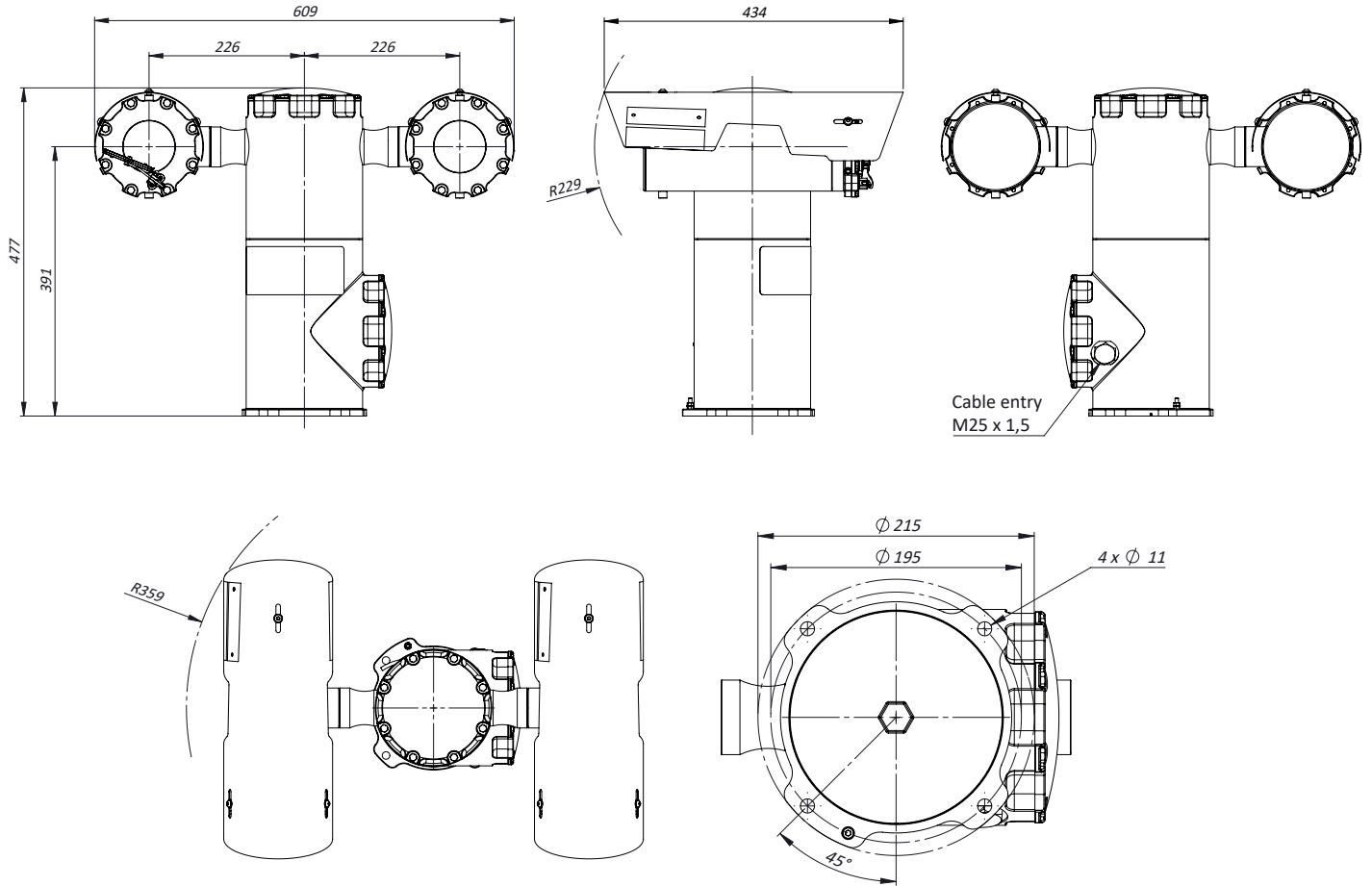
### PRE-ASSEMBLED CABLE TAILS

<b>EXACCTF3-B</b>	3 meters armoured composite cable tail (power, Ethernet, data) with 2x M25 barrier nickel plated brass glands. For PTZ camera
<b>EXACCTF3-D</b>	3 meters armoured composite cable tail (power, data, fiber optic) with 2x M25 barrier nickel plated brass glands. Fiber termination: SC. For PTZ camera
<b>EXACCTF5-B</b>	5 meters armoured composite cable tail (power, Ethernet, data) with 2x M25 barrier nickel plated brass glands. For PTZ camera
<b>EXACCTF5-D</b>	5 meters armoured composite cable tail (power, data, fiber optic) with 2x M25 barrier nickel plated brass glands. Fiber termination: SC. For PTZ camera
<b>EXACCTF10-B</b>	10 meters armoured composite cable tail (power, Ethernet, data) with 2x M25 barrier nickel plated brass glands. For PTZ camera
<b>EXACCTF10-D</b>	10 meters armoured composite cable tail (power, data, fiber optic) with 2x M25 barrier nickel plated brass glands. Fiber termination: SC. For PTZ camera

### ACCESSORIES

<b>SSBK-L</b>	Wall mounting bracket
---------------	-----------------------

## DIMENSIONS



Dimensions in millimetres - Tolerances according QMS - Design and products specifications subject to change without notice - rev. 20231205