

## INNO PTZ WITH BOSCH CAMERA AND IR LED

INNOVATIVE STAINLESS STEEL PTZ CAMERA STATION WITH IR LED

SAFE AREA

- **INNOVATIVE PRODUCT, BEST IN CLASS TECHNOLOGY**
- AISI316L STAINLESS STEEL CONSTRUCTION
- INTEGRATED BOSCH DINION IP STARLIGHT CAMERA
- PREASSEMBLED 17X OR 50X HIGH QUALITY AUTOFOCUS ZOOM LENSES
- EDGE RECORDING
- IR LED ILLUMINATOR
- INTEGRATED WINDOW WIPER
- VERY LOW POWER CONSUMPTION
- EASY MAINTENANCE
- IP66/67/68/69, NEMA 4X
- OPTIONAL BUILT-IN FIBER MEDIA CONVERTER
- OPTIONAL BUILT-IN IP OVER COAXIAL CONVERTER
- OPTIONAL BUILT-IN 120VAC OR 230VAC POWER SUPPLY
- BVMS COMPATIBLE

POWERED BY



### TECHNICAL SPECIFICATIONS

#### GENERAL & MECHANICAL

<b>Dimensions</b>	See dimensions drawings
<b>Operating Temperature</b>	-60° +60°C, +75°C peak (-76°F +140°F, +167°F peak)
<b>Construction</b>	AISI316L Stainless Steel
<b>Finish</b>	Electro-polished
<b>Mounting</b>	4x Ø11 on 195 PCD
<b>Cable entries</b>	1x M25x1,5 (second cable entry available on demand)
<b>Wiper</b>	Yes (camera)
<b>Pan Angle</b>	360° (continuous rotation)
<b>Pan Speed</b>	0 – 40°/second
<b>Pan Torque</b>	20Nm (limited with safety device)
<b>Tilt Angle</b>	180° (+/-90°)
<b>Tilt Speed</b>	0 – 20°/second
<b>Tilt Torque</b>	20Nm (limited with safety device)
<b>Rotation angle</b>	Electronically adjustable limit switches
<b>Backlash</b>	<0,1°
<b>Max preset accuracy</b>	0,04°
<b>Control protocol</b>	Pelco D (RS485)
<b>Weight</b>	Unit: 36kg / Package: 41kg

#### ELECTRICAL

<b>Temperature Climatization</b>	
- <b>Camera Housing</b>	T[°C] ON = 12 ± 4°C, T[°C] OFF = 20 ± 3°C
- <b>Gear motors</b>	Electronically controlled de-icing
<b>Available voltages</b>	24VAC, 120VAC, 230VAC (+/-10%) 24VDC available on request
<b>Power consumption</b>	10W min (stationary and de-icing/heater/wiper/illuminator off), 155W MAX

#### CERTIFICATIONS

<b>Ingress Protection</b>	EN 60529 (IP66/IP67/IP68/IP69), NEMA 4X
---------------------------	---

<b>Vibrations and Shock</b>	EN/IEC 60068-2-6; EN/IEC 60068-2-27; DNV-CG-0339
<b>EMC</b>	EN 55035; EN/IEC 61000-6-4; EN/IEC 61000-3-2; EN/IEC 61000-3-3; EN/IEC 61000-6-2; CISPR-32; CISPR-35; DNV-CG-0339
<b>LVD</b>	EN/IEC 62368-1
<b>FCC</b>	FCC part 15B
<b>RoHS</b>	2011/65/EU + 2015/863/EU (RoHS 3)
<b>WEEE</b>	2012/19/EU

#### CAMERA

LENS MODEL	DINION IP Starlight CAMERA SERIES	
	6000 HD (6)	7000 HD (7)
<b>A50</b>	6A50	7A50
<b>K17</b>	6K17	7K17

Please specify the camera + lens combination in the ordering code (see MODELS). For the complete camera specifications, please check the official Bosch camera datasheet.

(\*) for more updated information pls visit original web site of camera manufacturer

#### LENS

	A50	K17
<b>Sensor</b>	1/1.8"	1/2.8"
<b>Zoom Ratio</b>	50x	17x
<b>Focal Length</b>	10 - 500mm	7.5 - 127mm
<b>IR corrected</b>	Yes	No
<b>Focus</b>	Automatic	Automatic
<b>Horizontal Angle of View</b>	38.9° - 0.84°	43.1° - 2.75°
<b>Iris Range</b>	F4.5 - 360	F1.6 - F2.7
<b>Temperature Compensated</b>	Yes	No

INNOVATIVE STAINLESS STEEL PTZ CAMERA STATION WITH IR LED

**LED ILLUMINATOR**

<b>LED</b>	14x SMD LED
<b>Wavelength</b>	850nm
<b>Beam patterns</b>	15° or 34° circular beams

**FIBER MEDIA CONVERTER**

<b>Interface</b>	100 Base-FX/1000BASE-X
<b>Cabling</b>	Singlemode (9/125 μm) /two fibers/SC connector
<b>Maximum Distance</b>	20km
<b>Wavelength</b>	1310 nm

**IP OVER COAXIAL CONVERTER**

<b>Interface</b>	10/100 Base-TX over Coaxial Cable
<b>Bandwidth</b>	Up to 95Mbps downlink/uplink
<b>Maximum Distance</b>	1800m
<b>Technology</b>	Broadband over Power Lines (BPL)
<b>Interference Prevention</b>	IEEE 1901-2010 Inter-System Protocol ISP

**MODELS**

<b>TSP1TBxyyy-15LED-IP-L</b>	New Generation Stainless Steel PTZ IP camera station with Bosch DINION, IR LED Illuminator 15° beam, 24VAC
<b>TSP2TBxyyy-15LED-IP-L</b>	New Generation Stainless Steel PTZ IP camera station with Bosch DINION, IR LED Illuminator 15° beam, 120VAC
<b>TSP3TBxyyy-15LED-IP-L</b>	New Generation Stainless Steel PTZ IP camera station with Bosch DINION, IR LED Illuminator 15° beam, 230VAC
<b>TSP1TBxyyy-15LED-SM-L</b>	New Generation Stainless Steel PTZ IP camera station with Bosch DINION, IR LED Illuminator 15° beam, SM FO Media Converter, 24VAC
<b>TSP2TBxyyy-15LED-SM-L</b>	New Generation Stainless Steel PTZ IP camera station with Bosch DINION, IR LED Illuminator 15° beam, SM FO Media Converter, 120VAC
<b>TSP3TBxyyy-15LED-SM-L</b>	New Generation Stainless Steel PTZ IP camera station with Bosch DINION, IR LED Illuminator 15° beam, SM FO Media Converter, 230VAC
<b>TSP1TBxyyy-34LED-IP-L</b>	New Generation Stainless Steel PTZ IP camera station with Bosch DINION, IR LED Illuminator 34° beam, 24VAC
<b>TSP2TBxyyy-34LED-IP-L</b>	New Generation Stainless Steel PTZ IP camera station with Bosch DINION, IR LED Illuminator 34° beam, 120VAC
<b>TSP3TBxyyy-34LED-IP-L</b>	New Generation Stainless Steel PTZ IP camera station with Bosch DINION, IR LED Illuminator 34° beam, 230VAC
<b>TSP1TBxyyy-34LED-SM-L</b>	New Generation Stainless Steel PTZ IP camera station with Bosch DINION, IR LED Illuminator 34° beam, SM FO Media Converter, 24VAC
<b>TSP2TBxyyy-34LED-SM-L</b>	New Generation Stainless Steel PTZ IP camera station with Bosch DINION, IR LED Illuminator 34° beam, SM FO Media Converter, 120VAC
<b>TSP3TBxyyy-34LED-SM-L</b>	New Generation Stainless Steel PTZ IP camera station with Bosch DINION, IR LED Illuminator 34° beam, SM FO Media Converter, 230VAC

-X: 6 = Dinion 6000, 7 = Dinion 7000

-YYY: K17 = 17x zoom Lens, A50 = 50x zoom lens. For the ordering codes, please refer also to the CAMERA table

-for IP over COAXIAL converter replace the suffix "SM" with "CX"

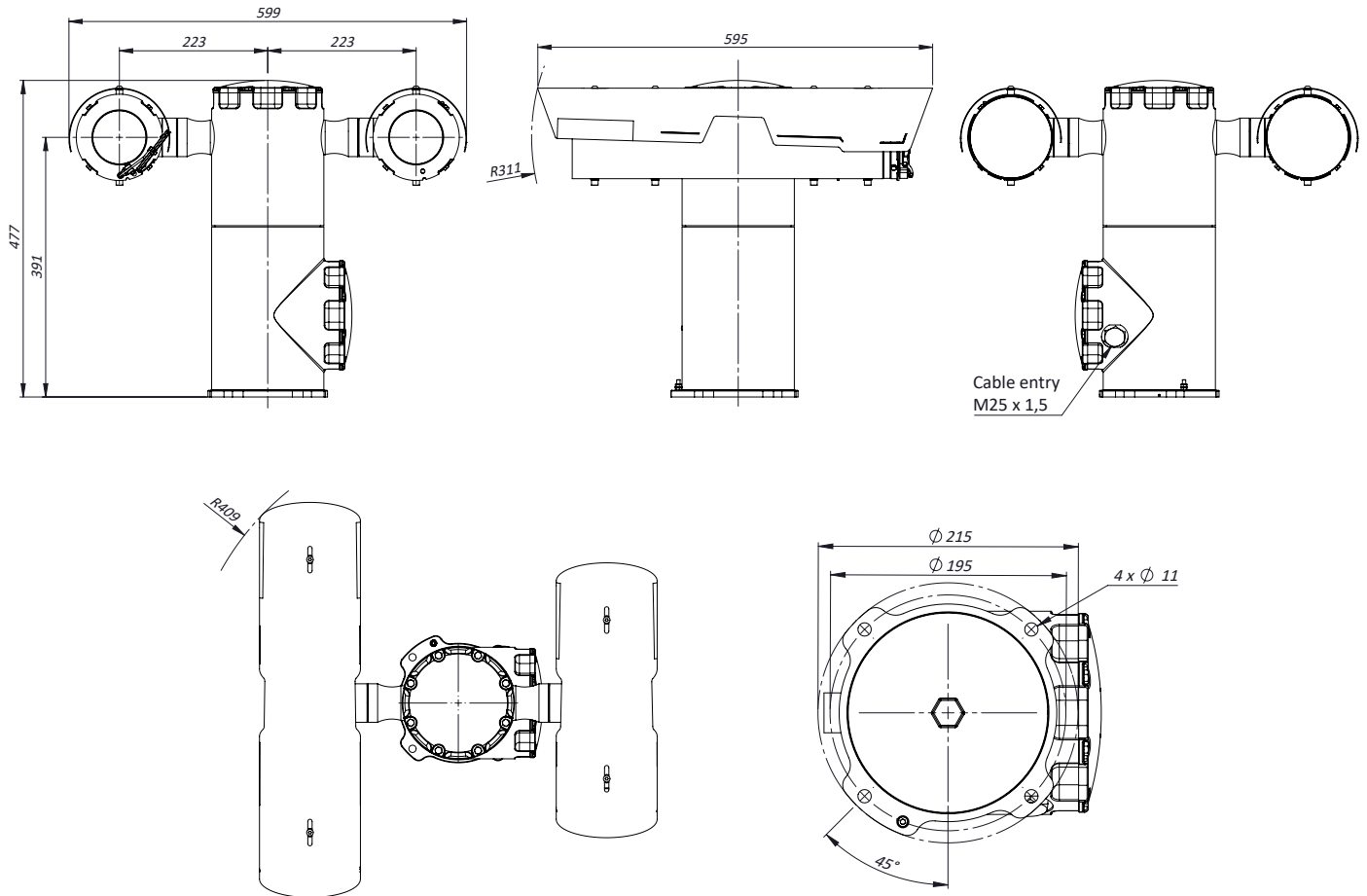
**PRE-ASSEMBLED CABLE TAILS**

<b>SAUCT3-B</b>	3 meters composite cable tail (power, CAT6A, data) with two M25 nickel-plated brass glands
<b>SAUCTF3-D</b>	3 meters composite cable tail (power, data, fiber optic) with two M25 nickel-plated brass glands. Fiber termination: SC
<b>SAUCT5-B</b>	5 meters composite cable tail (power, CAT6A, data) with two M25 nickel-plated brass glands
<b>SAUCTF5-D</b>	5 meters composite cable tail (power, data, fiber optic) with two M25 nickel-plated brass glands. Fiber termination: SC
<b>SAUCT10-B</b>	10 meters composite cable tail (power, CAT6A, data) with two M25 nickel-plated brass glands
<b>SAUCTF10-D</b>	10 meters composite cable tail (power, data, fiber optic) with two M25 nickel-plated brass glands. Fiber termination: SC

**ACCESSORIES**

<b>SSBK-L</b>	Wall mounting bracket
---------------	-----------------------

## DIMENSIONS



*The unit cannot be installed upside-down nor horizontally*

*This is only an example of integration of Bosch Dinion cameras in Tecnovideo products.  
Bosch Trademark and company logos, marks, product names and emblems are registered trademarks and belong to Robert Bosch GmbH.*

Dimensions in millimetres - Tolerances according QMS - Design and products specifications subject to change without notice - rev. 20231205