



tekno system[®]
by TECNOVIDEO

LINEA R SERIES

INDOOR/OUTDOOR ALUMINIUM CAMERA HOUSING

SAFE AREA

FLIP-TOP OPENING SYSTEM
WALL OR CEILING MOUNTING BRACKET
CABLE MANAGEMENT VERSION AVAILABLE
VANDAL RESISTANT VERSION AVAILABLE
SUITABLE FOR INDOOR AND OUTDOOR
WEATHERPROOF STANDARD IP66
EASY INSTALLATION AND MAINTENANCE



KITRA ALUMINIUM CAMERA HOUSING + WALL BRACKET WITH SWIVEL

TECHNICAL SPECIFICATIONS

GENERAL & MECHANICAL

Dimensions	See drawings next page
Operating Temperature	-20° + 50°C (-4° + 122° F)
Construction	Die cast aluminium
Finish	RAL 9002 Polyester powder coating
Mounting	See drawings next page
Cable entries	4 M16x1.5 cable glands (5-10 mm diameter)

Weight	Unit [kg]	Package [kg]
Model		
KITRASH	6	7
KITRPSH	6,5	7,5
KITRACSH	8	9

ELECTRICAL

Thermostatically controlled heater	
T[°C] ON = 15 ± 5°C, T[°C] OFF = 22 ± 4°C	
Available voltages	12-24VUC, 115-230V~
Heater power consumption	7W average, 20W peak (12-24V~) 10W average, 40W peak (115-230V~)
Thermostatically controlled fan	
T[°C] ON = 37 ± 4°C, T[°C] OFF = 27 ± 3°C	
Fan power consumption	1W

CERTIFICATIONS

Ingress Protection (EN 60529)	IP66
	IP54 for models with fan and air filters
RoHS	2011/65/EU
WEEE	2012/19/EU

MODELS

WALL MOUNT	
KITRA	Housing + BW6H6 bracket + swivel joint
KITRASH/24	Housing + sunshield + heater. Supply voltage: 12-24VUC + BW6H6 bracket + swivel joint
KITRASH/230	Housing + sunshield + heater. 115-230V~ + BW6H6 bracket + swivel joint
CABLE MANAGEMENT WALL MOUNT	
KITRP	Housing + BWPHP bracket + swivel joint
KITRPSH/24	Housing + sunshield + heater. Supply voltage: 12-24VUC + BWPHP bracket + swivel joint
KITRPSH/230	Housing + sunshield + heater. 115-230V~ + BWPHP bracket + swivel joint
CEILING SIDE MOUNT	
KITRAC	Housing + CBRH6 bracket + swivel joint
KITRACSH/24	Housing + sunshield + heater. Supply voltage: 12-24VUC + CBRH6 bracket + swivel joint
KITRACSH/230	Housing + sunshield + heater. 115-230V~ + CBRH6 bracket + swivel joint

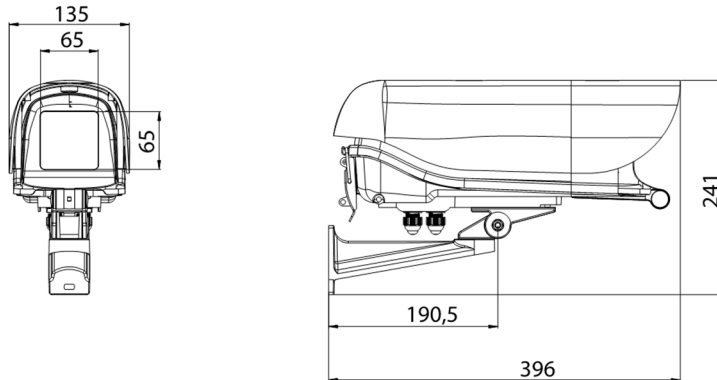
ACCESSORIES AND SPARE PARTS

BW6H6	Wall mounting bracket for KITRA
BWPHP	Cable management wall mounting bracket for KITRP
CBRH6	Ceiling side mounting bracket for KITRAC
SSR	Aluminium sunshield for LINEA R Series (L=270mm)
VAR	Vandal proof glass for LINEA R Series (built-in)
HKR/24	Add-on heater kit. 12-24VUC
HKR/230	Add-on heater kit. 115-230V~
ALR/24	Transformer 230V~/24V~, 400mA (built-in)
ALR/24-S	Add-on transformer 230V~/24V~, 400mA (spare)
ALR/230	Power supply unit 230V~/12V=, 400mA (built-in)
ALR/230-S	Add-on power supply unit 230V~/12V=, 400mA (spare)
VR/24	24V~ thermostatically controlled blower kit (built-in)
VR/24-S	Add-on 24V~ thermostatically controlled blower kit (spare)
VR/230	230V~ thermostatically controlled blower kit (built-in)
VR/230-R	Add-on 230V~ thermostatically controlled blower kit (spare)
BWRHYP1	Hyperion One adapter for LINEA R

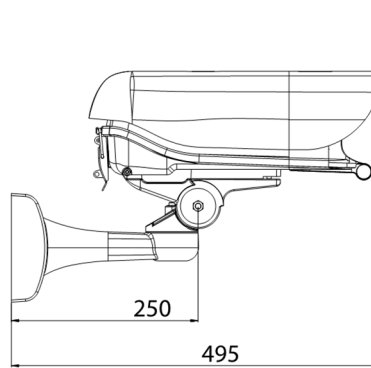
INDOOR/OUTDOOR ALUMINIUM CAMERA HOUSING

DIMENSIONS

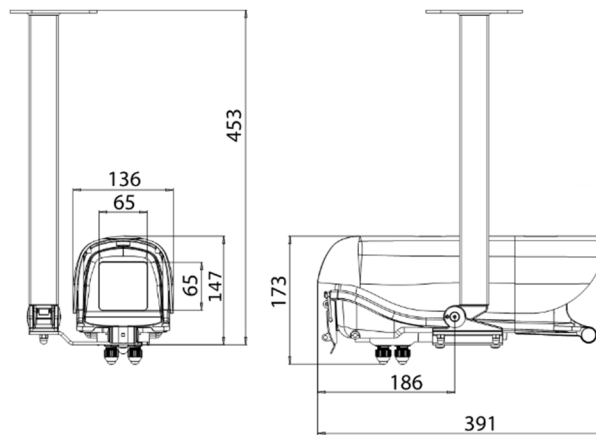
KITRA



KITRP



KITRAC



Model	Max internal dimension [mm]	Model	Mounting Pattern
KITRA	76x76x257	KITRA	4x Ø 8 on a 121x36
KITRP	76x76x257	KITRP	4x Ø 8 on a 121x36
KITRAC	76x76x257	KITRAC	3x Ø 8 on a 97,6 (triangle)