



tekno system[®]
by TECNOVIDEO

LINEA 6 HP SERIES

HIGH PERFORMANCE ALUMINIUM CAMERA HOUSING

SAFE AREA

ROBUST ALUMINIUM CONSTRUCTION
WATERPROOF IP68 AT 1,5 M DEPTH
VANDAL-RESISTANT IK10
WIDE RANGE OF ACCESSORIES
HEATER WITH THERMOSTAT



KIT6A-HP IK10 ALUMINIUM CAMERA HOUSING

TECHNICAL SPECIFICATIONS

GENERAL & MECHANICAL

Dimensions	See drawings next page
Operating Temperature	-20° +50°C (-4° +122° F)
Construction	Extruded aluminium body and sunshield Die cast aluminium parts
Finish	RAL9002 Polyester powder coating
Mounting	See drawings next page
Cable entries	3 M16x1,5 metallic cable glands

ELECTRICAL

Thermostatically controlled heater	T[°C] ON = 15 ± 5°C, T[°C] OFF = 22 ± 4°C
Available voltage	12-24VUC, 100-240V~
Power consumption	7W average, 20W peak (12-24VUC) 10W (average), 40W peak (100-240V~)
Camera power supply unit	ALWR: Vin 88-264V~ 47/63Hz Vout 12V= 2,1A AL12 Vin 230V~ 50Hz Vout 12V= 400mA AL24 Vin 230V~ 50Hz Vout 24V~ 50Hz 400mA

CERTIFICATIONS

Ingress Protection (EN 60529)	IP68
EN 50102	IK10 vandal-resistant
RoHS	2011/65/EU
WEEE	2012/19/EU

MODELS

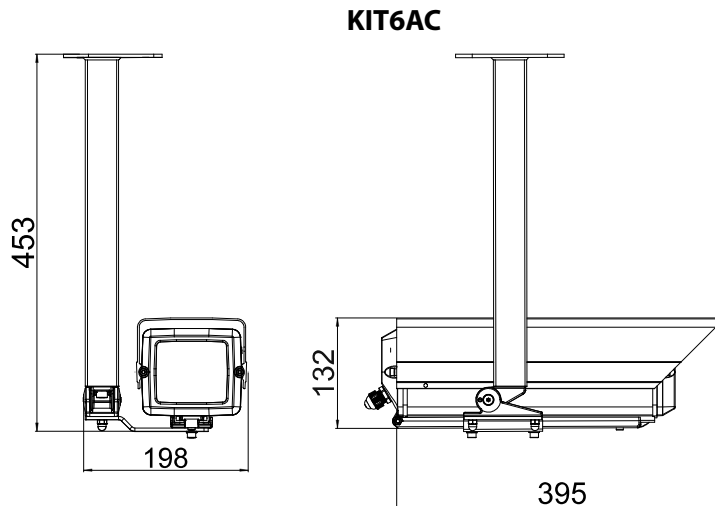
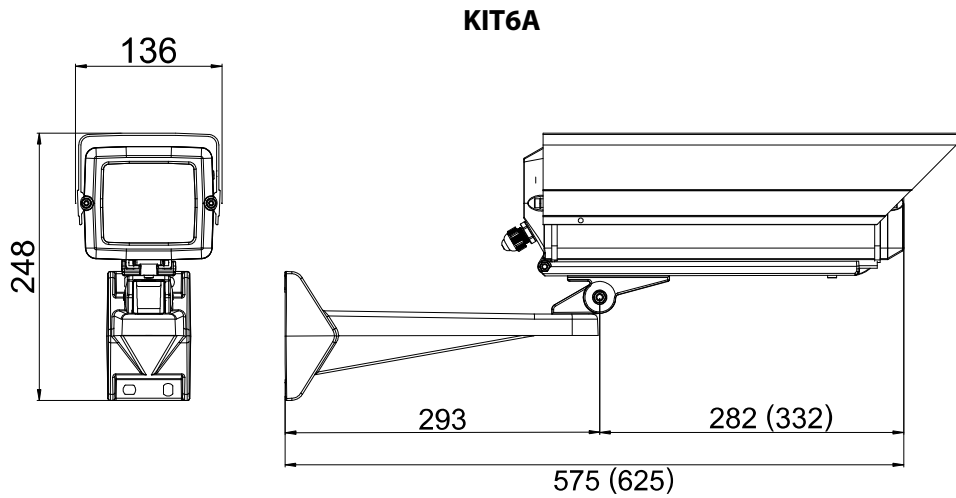
WALL MOUNT	
KIT6ASH-HP/24	IK10 housing + sunshield + 12-24VUC heater/demister + BW6H6 bracket with swivel joint
KIT6ASH-HP/230	IK10 housing + sunshield + 230V~ heater/demister + BW6H6 bracket with swivel joint
CEILING SIDE MOUNT	
KIT6ACSH-HP/24	IK10 housing + sunshield + 12-24VUC heater/demister + CBRH6 bracket with swivel joint
KIT6ACSH-HP/230	IK10 housing + sunshield + 230V~ heater/demister + CBRH6 bracket with swivel joint

*All the above models are 300mm long.
Suffix -L is used for 350mm length.*

ACCESSORIES AND SPARE PARTS

BW6H6	Wall mount bracket for KIT6A
CBRH6	Ceiling side mount bracket for KIT6AC
EL	Camera spacers
HK6/24	Add-on heater kit. 12-24VUC
HK6/230	Add-on heater kit. 115-230V~
AL6/24	Transformer 230V~/24V~, 400mA (built-in)
AL6/24-S	Transformer 230V~/24V~, 400mA (spare)
AL6/12	Power supply unit 230V~/12V=, 400mA (built-in)
AL6/12-S	Add-on power supply unit 230V~/12V=, 400mA (spare)
ALWR	Power supply unit 115-230V~/12V=, 2,1A (built in)
ALWR-S	Add-on power supply unit 115-230V~/12V=, 2,1A (spare)

DIMENSIONS



Dimension in brackets refer to 350mm version

Model	Max internal dimension [mm]
KIT6A	105 x 86 x 264 (314)
KIT6AC	105 x 86 x 264 (314)

Model	Mounting Pattern
KIT6A	4x Ø 8 on a 121x36
KIT6AC	3x Ø 8 on a 97,6 (triangle)