



tekno system[®]
by TECNOVIDEO

LINEA 6 SERIES

INDOOR/OUTDOOR ALUMINIUM CAMERA HOUSING

SAFE AREA

ROBUST ALUMINIUM CONSTRUCTION
FOUR MOUNTING OPTIONS
AVAILABLE IN TWO LENGTHS
WIDE RANGE OF ACCESSORIES
SLIDE AND HANG OPENING SYSTEM
WEATHERPROOF STANDARD IP66
SUITABLE FOR ANALOG AND IP CAMERAS



KIT6A ALUMINIUM CAMERA HOUSING WITH WALL MOUNTING BRACKET

TECHNICAL SPECIFICATIONS

GENERAL & MECHANICAL

| | |
|------------------------------|---|
| Dimensions | See drawings next page |
| Operating Temperature | -20° +50°C (-4° +122° F) |
| Construction | Extruded aluminium body and sunshield Die cast aluminium parts |
| Finish | RAL9002 Polyester powder coating |
| Mounting | See drawings next page |
| Cable entries | 3 M16x1,5 cable glands 2 M16x1,5 cable glands for model with fan |

ELECTRICAL

| | |
|---|--|
| Thermostatically controlled heater | TI[°C] ON = 15 ± 5°C, TI[°C] OFF = 22 ± 4°C |
| Available voltage | 12-24VUC, 115-230V~ |
| Power consumption | 7W average, 20W peak (12-24VUC) 10W average, 40W peak (115-230V~) |
| Thermostatically controlled fan | TI[°C] ON = 37 ± 4°C, TI[°C] OFF = 27 ± 3°C |
| Fan power consumption | 1W |

CERTIFICATIONS

| | |
|--------------------------------------|--|
| Ingress Protection (EN 60529) | IP66 IP54 for models with fan and air filters |
| RoHS | 2011/65/EU |
| WEEE | 2012/19/EU |

MODELS

| | |
|------------------------------------|--|
| WALL MOUNT | |
| KIT6A | Housing + BW6H6 bracket |
| KIT6ASH/24 | Housing + sunshield + heater + BW6H6 bracket |
| CABLE MANAGEMENT WALL MOUNT | |
| KIT6P | Housing + BWPHP bracket |
| KIT6PSH/24 | Housing + sunshield + heater + BWPHP bracket |
| CEILING TOP MOUNT | |
| KIT6C | Housing + CB6H6 bracket |
| KIT6CH/24 | Housing + heater + CB6H6 bracket |
| CEILING SIDE MOUNT | |
| KIT6AC | Housing + CBRH6 bracket |
| KIT6ACSH/24 | Housing + sunshield + heater + CBRH6 bracket |

All the above models are 300mm long.
Suffix -L is used for 350mm length.

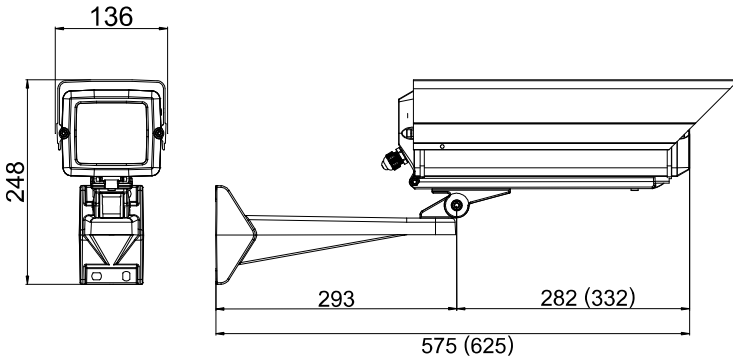
ACCESSORIES AND SPARE PARTS

| | |
|-------------------------|--|
| BW6H6 | Wall mounting bracket for KIT6A |
| BWPHP | Cable management wall mounting bracket for KIT6P |
| CB6H6 | Ceiling top mounting bracket for KIT6C |
| CBRH6 | Ceiling side mounting bracket for KIT6AC |
| SS6A¹ | Sunshield for KIT6A, KIT6AC camera housing (L=300mm) |
| SS6P¹ | Sunshield for KIT6P camera housing (L=300mm) |
| VA6 | Front cover with vandal proof glass |
| VC6 | Front cover anti-condensation glass |
| HK6/24 | Add-on heater kit. 12-24VUC |
| HK6/230 | Add-on heater kit. 115-230V~ |
| AL6/24 | 230V~/24V~, 400mA transformer |
| AL6/12 | 230V~/12V~, 400mA power supply unit |
| ALWR | 115-230V~/12V~, 2,1A power supply unit |
| V6A/24 | 24V~ thermostatically controlled fan for KIT6A/C/AC |
| V6A/230 | 230V~ thermostatically controlled fan for KIT6A/C/AC |
| V6P/24 | 24V~ thermostatically controlled fan for KIT6P |
| V6P/230 | 230V~ thermostatically controlled fan for KIT6P |
| TS | Tamper switch |
| EL | Camera spacers |
| PA1 | Pole mount adapter for one bracket |
| PA2 | Pole mount adapter for two brackets |

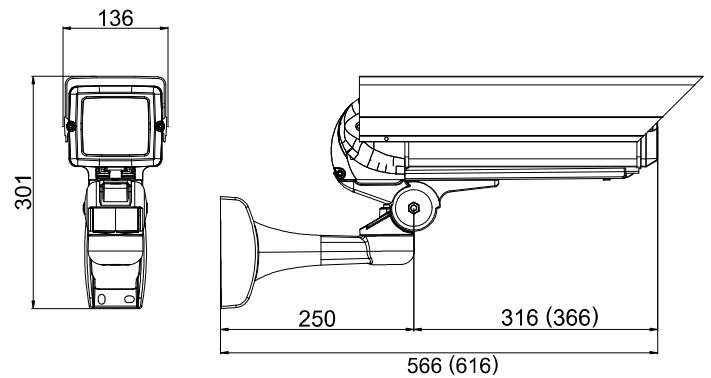
¹ Suffix -L is for 350mm length.

DIMENSIONS

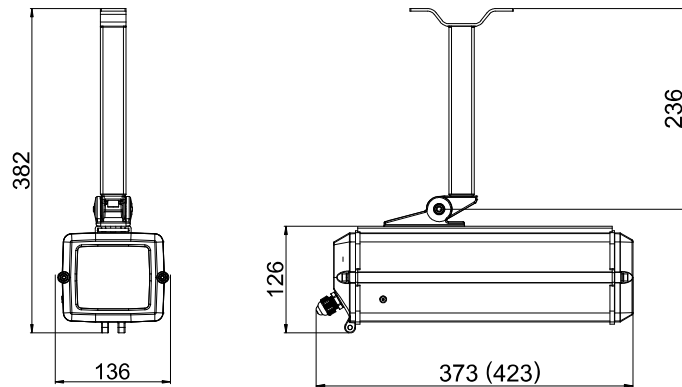
KIT6A



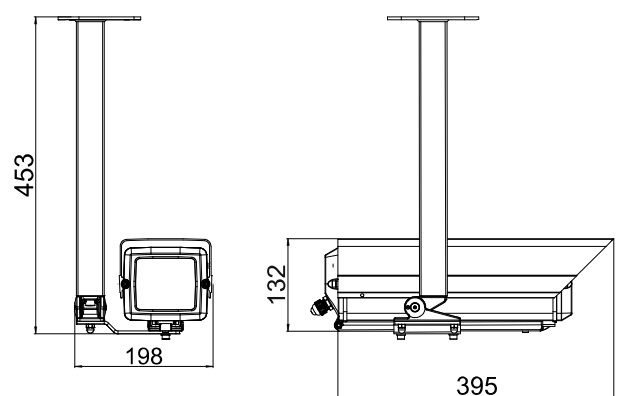
KIT6P



KIT6C



KIT6AC



Dimension in brackets refer to 350mm version

| Model | Max internal dimension [mm] |
|--------|-----------------------------|
| KIT6A | 105 x 86 x 264 (314) |
| KIT6P | 105 x 86 x 264 (314) |
| KIT6C | 105 x 86 x 264 (314) |
| KIT6AC | 105 x 86 x 264 (314) |

| Model | Mounting Pattern |
|--------|-----------------------------|
| KIT6A | 4x Ø 8 on a 121x36 |
| KIT6P | 4x Ø 8 on a 121x36 |
| KIT6C | 2x Ø 8 on a 97,6 |
| KIT6AC | 3x Ø 8 on a 97,6 (triangle) |