

# TECNOVIDEO

CCTV SYSTEMS AND ACCESSORIES

## EXPTZTBA50

STAINLESS STEEL PTZ CAMERA STATION



HAZARDOUS AREA

AISI316L STAINLESS STEEL CONSTRUCTION  
WEATHERPROOF STANDARD IP66/IP67  
INTEGRATED BOSCH DINION IP STARLIGHT CAMERA  
INTEGRATED AUTOFOCUS 50x MOTORIZED ZOOM LENS  
BUILT-IN VIDEO ANALYTICS  
SUITABLE FOR DIRECT OPTICAL FIBER CONNECTION



POWERED BY  
**BOSCH**  
DINION IP



EXPTZTBA50 PTZ CAMERA STATION

## TECHNICAL SPECIFICATIONS

### GENERAL & MECHANICAL

<b>Dimensions</b>	See drawings next page
<b>Operating Temperature</b>	-20° +60°C (-4° +140° F)
<b>Construction</b>	AISI316L Stainless Steel
<b>Finish</b>	Electro-polished
<b>Mounting</b>	4x Ø11 on 195 PCD
<b>Cable entries</b>	1x M25x1.5 cable entry
<b>Pan Angle</b>	360° continuous rotation
<b>Pan Speed</b>	0 – 36°/second
<b>Pan Torque</b>	80 Nm
<b>Tilt Angle</b>	180° (+/-90°)
<b>Tilt Speed</b>	0 – 18°/second
<b>Tilt Torque</b>	107 Nm
<b>Rotation angle</b>	Electrically adjustable
<b>Backlash</b>	<0,1°
<b>Max preset accuracy</b>	0.04°
<b>Weight</b>	39.0 kg

### ELECTRICAL

<b>Supply voltage</b>	24V~, 115V~, 230V~ (+/-10%)
<b>Power consumption</b>	95W MAX
<b>Thermostatically controlled heater</b>	
<b>T[°C] ON</b>	= 12 ± 4°C, <b>T[°C] OFF</b> = 20 ± 3°C

### CAMERA

LENS MODEL	DINION IP Starlight CAMERA SERIES		
	6000 HD [6]	7000 HD [7]	8000 MP [8]
<b>A50</b>	6A50	7A50	8A50

To order the camera and lens to be integrated in the housing, please specify the related number (camera series) and letter (lens model) in the ordering code (see MODELS).

#### Example:

For the EXPTZTB6A50-CR/24 housing with integrated DINION IP Starlight 6000 HD (6), 50x AF zoom lens (A50), 360° continuous pan rotation (-CR) the ordering code is: EXPTZTB6A50-CR/24.

For the complete camera specifications, please check the official Bosch camera datasheet.

LENS	ADL HZ50X1046DPFIR
<b>Sensor</b>	1/1.8"
<b>Zoom Ratio</b>	50x
<b>Focal Length</b>	10 - 500mm
<b>IR corrected</b>	Yes
<b>Focus</b>	Automatic
<b>Horizontal Angle of View</b>	35.12 - 0.81
<b>Iris Range</b>	F4.6 - 360

For the complete lens specifications, please check the official ADL lens datasheet.

### CERTIFICATIONS

<b>Ingress Protection Rating</b>	EN 60529 (IP66/IP67) ⊕ II 2 G Ex db op pr IIC T6 Gb -40°C ≤ Tamb ≤ +60°C ⊕ II 2 D Ex tb IIIC T85°C Db -40°C ≤ Tamb ≤ +60°C ⊕ II 2 G Ex db op pr IIB T5 Gb -40°C ≤ Tamb ≤ +75°C ⊕ II 2 D Ex tb IIIC T100°C Db -40°C ≤ Tamb ≤ +75°C
<b>ATEX Standards</b>	EN 60079-0:2012; EN 60079-1:2014; EN 60079-28:2015; EN 60079-31:2014
<b>IECEx Standards</b>	IEC 60079-0:2011; IEC 60079-1:2014-06; IEC 60079-28:2015; IEC 60079-31:2013
<b>EMC</b>	EN 61000-6-3:2007; EN 50130-4:1995 + A1:1998 + A2:2003
<b>LVD</b>	EN 60950-1:2006 + A11:2009
<b>RoHS</b>	2011/65/EU
<b>WEEE</b>	2012/19/EU

### MODEL

<b>EXPTZTB8A50-CR/24</b>	PTZ camera station with integrated Dinion IP Starlight 8000 MP and 50x AF motorized zoom lens.
<b>EXPTZTB8A50FO-CR/24</b>	PTZ camera station with integrated Dinion IP Starlight 8000 MP and 50x AF motorized zoom lens. SM FO media converter.

The above model is 24V~. Suffix /230 is used for 230V~ model. Suffix /115 is used for 115V~ model.

PTZ camera station includes: sunshield, heater and integrated wiper. Standard cable entry is 1x M25x1.5.

### ARMoured COMPOSITE CABLE TAILS

<b>EXACCTF3</b>	3 metres armoured composite cable + 2x M25 Exd nickel plated brass barrier glands
-----------------	---

The above model is 3 metres long. Suffix 5 is used for 5 metres, suffix 10 for 10 metres.

The cable is oil resistant, fire resistant, UV resistant and suitable for use in highly corrosive environments.

For complete specifications please check EXACCTF composite cable tails datasheet.

### MOUNTING ACCESSORIES

<b>EXSSBKPTZ</b>	Wall mounting bracket
------------------	-----------------------

### STAINLESS STEEL WASHER SYSTEMS

<b>WP10EXe/24</b>	10 Litres washer system with ATEX 'Ex e mb T4 IP67' solenoid valve.
<b>WP10EXd4/24</b>	10 Litres washer system with ATEX 'Ex d T4 IP66' solenoid valve.
<b>WP10EXd6/24</b>	10 Litres washer system with ATEX-IECEx 'Ex d T6 IP67' solenoid valve.

The above model is 24V~. Suffix /230 is used for 230V~ model. Suffix /115 is used for 115V~ model.

For complete specifications please check WP10EX series datasheet.



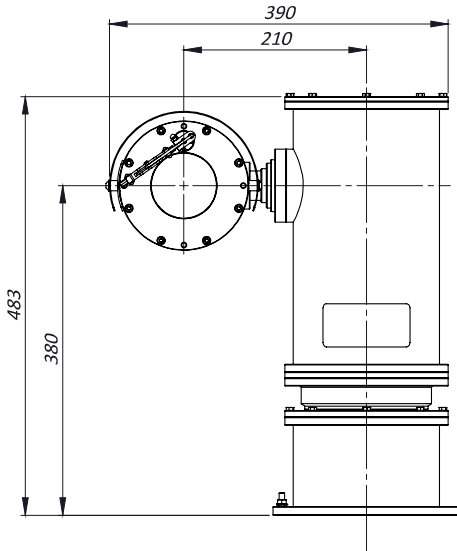
[www.tecnovideocctv.com](http://www.tecnovideocctv.com)

Tecnovideo S.r.l. - Via A. De Gasperi, 3 36030 Villaverla (VI) ITALY - Tel. +39.0445.350444 - [info@tecnovideocctv.com](mailto:info@tecnovideocctv.com)

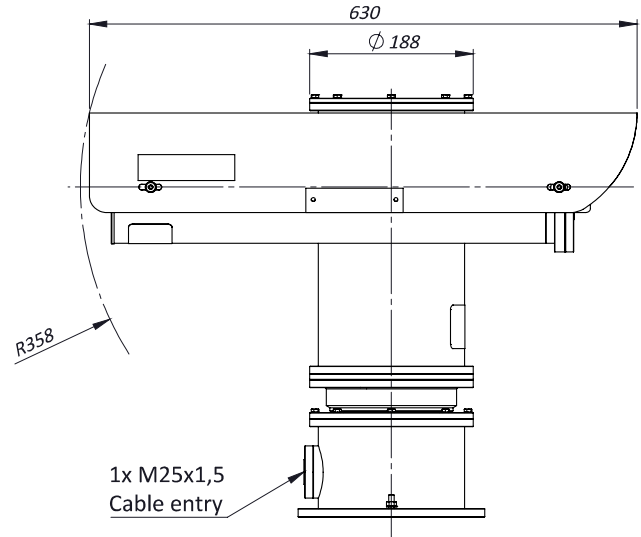
## STAINLESS STEEL PTZ CAMERA STATION

### DIMENSIONS

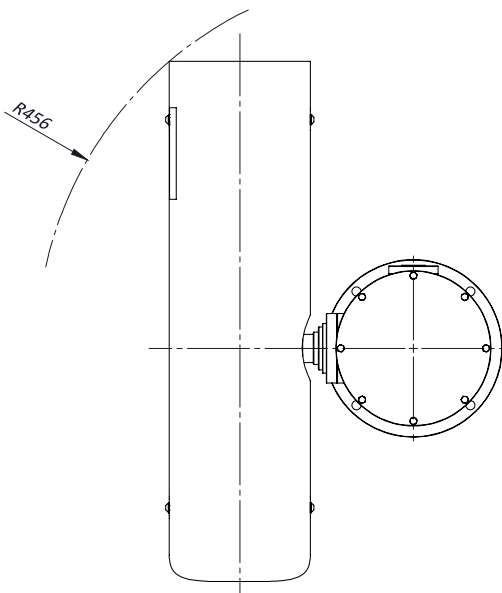
FRONT VIEW



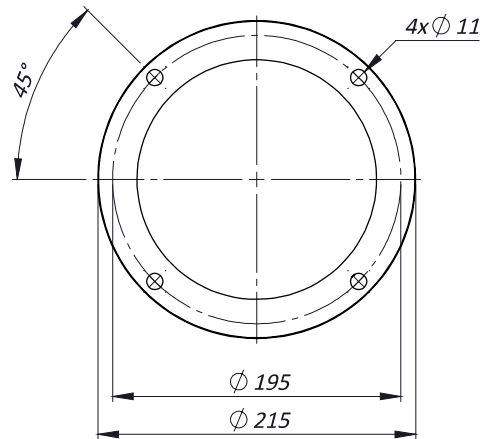
SIDE VIEW



TOP VIEW



MOUNTING PATTERN



*The unit cannot be installed upside-down nor horizontally*

*Bosch, its logos and emblems are registered trademarks of Robert Bosch GmbH.*