

# TECNOVIDEO

CCTV SYSTEMS AND ACCESSORIES

## EXPTZDTB-LED SERIES

EXPLOSION PROOF PTZ CAMERA STATION



HAZARDOUS AREA

AISI316L STAINLESS STEEL CONSTRUCTION  
 FOR USE IN HIGHLY CORROSIVE ENVIRONMENTS  
 WEATHERPROOF STANDARD IP66/IP67  
 INTEGRATED BOSCH DINION IP STARLIGHT HD  
 AUTOFOCUS MOTORIZED ZOOM LENS  
 INTEGRATED IR LED ILLUMINATOR  
 BUILT-IN VIDEO ANALYTICS  
 SUITABLE FOR DIRECT OPTICAL FIBER CONNECTION  
 ONVIF PROFILE S PROTOCOL COMPLIANT



POWERED BY  
**BOSCH**  
 DINION IP



## TECHNICAL SPECIFICATIONS

### GENERAL & MECHANICAL

<b>Dimensions</b>	See drawings next page
<b>Operating Temperature</b>	-20° +60°C (-4° +140° F)
<b>Construction</b>	AISI316L Stainless Steel
<b>Finish</b>	Electro-polished
<b>Mounting</b>	4x Ø11 on 195 PCD
<b>Cable entries</b>	1x M25x1,5 cable entry
<b>Pan Angle</b>	360° (continuous rotation) or 350° (+/-175°)
<b>Pan Speed</b>	0 – 36°/second
<b>Pan Torque</b>	80Nm
<b>Tilt Angle</b>	180° (+/-90°)
<b>Tilt Speed</b>	0 – 18°/second
<b>Tilt Torque</b>	107Nm
<b>Rotation angle</b>	Electronically adjustable
<b>Backlash</b>	<0,1°
<b>Max preset accuracy</b>	0.04°
<b>Weight</b>	Unit: 46kg / Package: 52,5kg

### ELECTRICAL

<b>Supply voltage</b>	24V~, 115V~, 230V~ (+/-10%)
<b>Power consumption</b>	120W MAX
<b>Thermostatically controlled heater</b>	
<b>T[°C] ON</b>	= 12 ± 4°C, <b>T[°C] OFF</b> = 20 ± 3°C

### CAMERA

LENS MODEL	DINION IP Starlight CAMERA SERIES	
	6000 HD (6)	7000 HD (7)
<b>K3</b>	6K3	7K3

To order the camera and lens to be integrated in the housing, please specify the related number (camera series) and letter (lens model) in the ordering code (see MODELS).

**Example:**  
 For the EXPTZDTB-LED housing with integrated DINION IP Starlight 7000 HD (7), K3 lens (K3) and integrated IR Illuminator the ordering code is: EXPTZDTB7K3LED/24.

LENS	K3
<b>Sensor</b>	1/2"
<b>Zoom Ratio</b>	15x
<b>Focal Length</b>	8-120mm
<b>Focus</b>	Automatic
<b>Horizontal Angle of View</b>	43.2-3.1
<b>Iris Range</b>	F1.8-360
<b>IR correction</b>	✓
<b>Full HD</b>	✓

### EXPTZDTB-LED PTZ CAMERA STATION WITH IR ILLUMINATOR

#### LED ILLUMINATOR

<b>LED</b>	14x SMD LED
<b>Wavelength</b>	850nm
<b>Available beam patterns</b>	15°,19° or 34° circular beam

#### CERTIFICATIONS

<b>Ingress Protection Rating</b>	EN 60529 (IP66/IP67) ☉II 2 G Ex db op is op pr IIC T5 Gb -40°C ≤ Tamb ≤ +40°C ☉II 2 D Ex tb op is IIC T100°C Db -40°C ≤ Tamb ≤ +40°C ☉II 2 G Ex db op is op pr IIB T4 Gb -40°C ≤ Tamb ≤ +60°C ☉II 2 D Ex tb op is IIC T135°C Db -40°C ≤ Tamb ≤ +60°C
<b>ATEX Standards</b>	EN 60079-0:2012; EN 60079-1:2014; EN 60079-28:2015; EN 60079-31:2014
<b>IECEX Standards</b>	IEC 60079-0:2011; IEC 60079-1:2014-06; IEC 60079-28:2015; IEC 60079-31:2013
<b>EMC</b>	EN 61000-6-3:2007; EN 50130-4:1995 + A1:1998 + A2:2003
<b>LVD</b>	EN 60950-1:2006 + A11:2009
<b>RoHS</b>	2011/65/EU
<b>WEEE</b>	2012/19/EU

#### MODELS

<b>EXPTZDTB6K3-LED/24</b>	350° (+/-175°) pan rotation. With integrated Dinion IP Starlight 6000 HD and 15x AF motorized zoom lens.
<b>EXPTDZTB6K3-CRLED/24</b>	360° continuous pan rotation. With integrated Dinion IP Starlight 6000 HD and 15x AF motorized zoom lens.

All the above models are 24V~. Suffix /230 is used for 230V~ models. Suffix /115 is used for 115V~ models.

All the above PTZ camera stations include sunshield, heater, integrated wiper, integrated LED Illuminator, a built-in telemetry receiver, variable speed motors, fixed cable entry 1x M25x1,5 on a base mount junction box. Available upon request: fiber optic.

For the camera and lens models and the related ordering codes, please refer to the chart on the left column.

#### PRE-ASSEMBLED CONDUIT/CABLE TAILS

<b>EXCTN25IP3</b>	3 metres 25mm Ethernet conduit tail + 2x M25 nickel plated brass glands
<b>EXCTN25IP5</b>	5 metres 25mm Ethernet conduit tail + 2x M25 nickel plated brass glands
<b>EXCTN25IP10</b>	10 metres 25mm Ethernet conduit tail + 2x M25 nickel plated brass glands
<b>EXACCT3</b>	3 metres armoured composite cable + 2x M25 nickel plated brass glands
<b>EXACCT5</b>	5 metres armoured composite cable + 2x M25 nickel plated brass glands
<b>EXACCT10</b>	10 metres armoured composite cable + 2x M25 nickel plated brass glands

#### MOUNTING ACCESSORIES

<b>EXSSBKPTZ</b>	Wall mounting bracket
------------------	-----------------------

#### ACCESSORIES AND SPARE PARTS

<b>RX250DC-EVO</b>	Telemetry receiver for EXPTZ Series with 360° continuous pan rotation.
<b>RX250DC-EVO-NOCR</b>	Telemetry receiver for EXPTZ Series with 350° pan rotation.

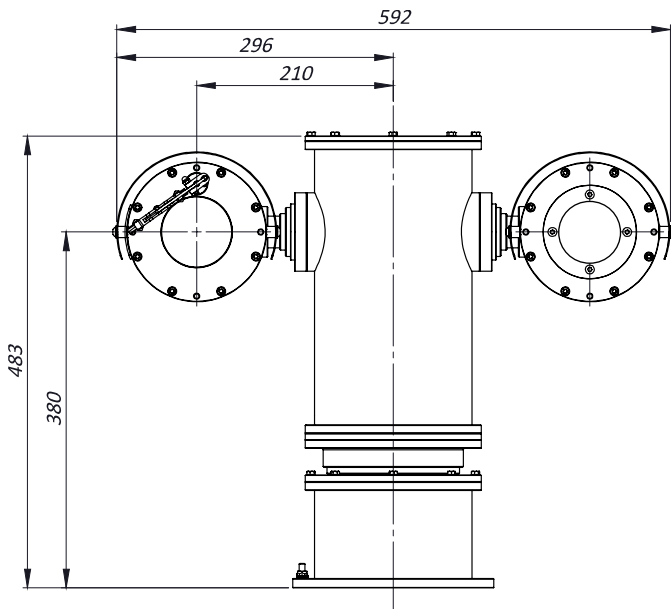
[www.tecnovideoctv.com](http://www.tecnovideoctv.com)

Tecnovideo S.r.l. - Via San L. Murialdo, 8 36030 Villaverla (VI) ITALY - Tel. +39.0445.350444 - [info@tecnovideoctv.com](mailto:info@tecnovideoctv.com)

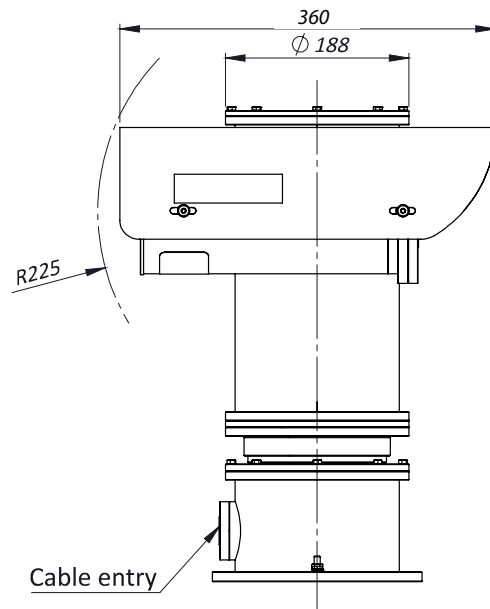
## STAINLESS STEEL PTZ CAMERA STATION

### DIMENSIONS

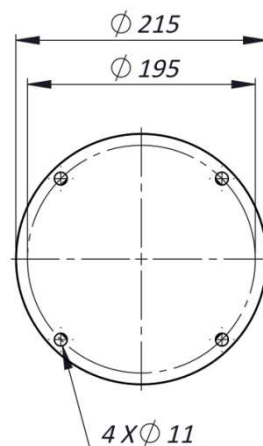
EXPTZDTB FRONT VIEW



EXPTZDTB SIDE VIEW



MOUNTING PATTERN



*The unit cannot be installed upside-down nor horizontally*

For further technical data of Bosch cameras and lenses, please visit the official Bosch Security website. Bosch, its logos and emblems are registered trademarks of Robert Bosch GmbH.

Dimensions in millimetres - Tolerances according QMS - Design and products specifications subject to change without notice - rev. 20190304