

TECNOVIDEO

CCTV SYSTEMS AND ACCESSORIES

EXPTZTB6K2-CR

STAINLESS STEEL PTZ CAMERA STATION



HAZARDOUS AREA

AISI316L STAINLESS STEEL CONSTRUCTION
WEATHERPROOF STANDARD IP66/IP67
INTEGRATED BOSCH DINION IP STARLIGHT 6000 HD CAMERA
INTEGRATED AUTOFOCUS 17x MOTORIZED ZOOM LENS
BUILT-IN VIDEO ANALYTICS
SUITABLE FOR DIRECT OPTICAL FIBER CONNECTION
ONVIF PROFILE S PROTOCOL COMPLIANT



POWERED BY
 BOSCH
DINION IP



EXPTZTB6K2-CR PTZ CAMERA STATION

TECHNICAL SPECIFICATIONS

GENERAL & MECHANICAL

Dimensions	See drawings next page
Operating Temperature	-20° +60°C (-4° +140° F)
Construction	AISI316L Stainless Steel
Finish	Electro-polished
Mounting	4x Ø11 on 195 PCD
Cable entries	1x M25x1.5 cable entry
Pan Angle	360° (continuous rotation)
Pan Speed	0 – 36°/second
Pan Torque	80 Nm
Tilt Angle	180° (+/-90°)
Tilt Speed	0 – 18°/second
Tilt Torque	107 Nm
Rotation angle	Electronically adjustable
Backlash	<0,1°
Max preset accuracy	0.04°
Weight	Unit: 34.5kg / Package: 39.5kg

ELECTRICAL

Supply voltage	24V~, 115V~, 230V~ (+/-10%)	
Power consumption	95W MAX	
Thermostatically controlled heater		
T[°C] ON	12 ± 4°C, T[°C] OFF	20 ± 3°C

CAMERA

DINION IP starlight 6000 HD

Sensor	1/2.8-inch CMOS
Effective pixels	1920 (H) x 1080 (V)
Starlight sensitivity	Color: 0.0069lx; Mono: 0.0008lx (3100K, reflectivity 89%, 1/25, F1.2, 30IRE)
Application variant	Starlight mode (default) / HDR -extended dynamic mode
Adjustable picture settings	Contrast, Saturation, Brightness
Day/Night	Auto (adjustable switch points), Color, Monochrome
Analysis type	Essential Video Analytics
Privacy Masking	Eight Independent areas, fully programmable
Ethernet	10/100 Base-T, auto-sensing, half/full duplex
Interoperability	Onvif profile S; GB/T 28181

For the complete camera specifications, please check the official Bosch camera datasheet.

LENS

Kowa LMZ7527

Sensor	1/2"
Zoom Ratio	17x
Focal Length	7.5-127mm
Focus	Automatic
Horizontal Angle of View	45.6-2.9
Iris Range	F1.6-360

For the complete lens specifications, please check the official Kowa lens datasheet.

CERTIFICATIONS

Ingress Protection Rating	EN 60529 (IP66/IP67) ⊕ II 2 G Ex db op pr IIC T6 Gb -40°C ≤ Tamb ≤ +60°C ⊕ II 2 D Ex tb IIIC T85°C Db -40°C ≤ Tamb ≤ +60°C ⊕ II 2 G Ex db op pr IIB T5 Gb -40°C ≤ Tamb ≤ +75°C ⊕ II 2 D Ex tb IIIC T100°C Db -40°C ≤ Tamb ≤ +75°C
ATEX Standards	EN 60079-0:2012; EN 60079-1:2014; EN 60079-28:2015; EN 60079-31:2014
IECEX Standards	IEC 60079-0:2011; IEC 60079-1:2014-06; IEC 60079-28:2015; IEC 60079-31:2013
EMC	EN 61000-6-3:2007; EN 50130-4:1995 + A1:1998 + A2:2003
LVD	EN 60950-1:2006 + A11:2009
RoHS	2011/65/EU
WEEE	2012/19/EU

MODEL

EXPTZTB6K2-CR/24	360° continuous pan rotation. With integrated Dinion IP Starlight 6000 HD and 17x AF motorized zoom lens.
-------------------------	---

The above model is 24V~. Suffix /230 is used for 230V~ model. Suffix /115 is used for 115V~ model.

PTZ camera station includes: sunshield, heater and integrated wiper.
Standard cable entry is 1x M25x1.5. Upon request additional 1x M20x1.5 is available.
Available upon request: integrated fiber optic media converter.

PRE-ASSEMBLED CONDUIT TAILS

EXCTN25IP3	3 metres 25mm Ethernet conduit tail + 2x M25 Exd nickel plated brass barrier glands
-------------------	---

The above model is 3 metres long. Suffix 5 is used for 5 metres, suffix 10 for 10 metres.
The conduit is UV resistant with excellent flame properties and suitable for use in highly corrosive environments.
For complete specifications please check conduit tails datasheet.

ARMoured COMPOSITE CABLE TAILS

EXACCT3	3 metres armoured composite cable + 2x M25 Exd nickel plated brass barrier glands
----------------	---

The above model is 3 metres long. Suffix 5 is used for 5 metres, suffix 10 for 10 metres.
The cable is oil resistant, fire resistant, UV resistant and suitable for use in highly corrosive environments.
For complete specifications please check composite cable tails datasheet.

MOUNTING ACCESSORIES

EXSSBKPTZ	Wall mounting bracket
------------------	-----------------------

STAINLESS STEEL WASHER SYSTEMS

WP10EXe/24	10 Litres washer system with ATEX 'Ex e mb T4 IP67' solenoid valve.
WP10EXdT4/24	10 Litres washer system with ATEX 'Ex d T4 IP66' solenoid valve.
WP10EXdT6/24	10 Litres washer system with ATEX-IECEx 'Ex d T6 IP67' solenoid valve.

The above model is 24V~. Suffix /230 is used for 230V~ model. Suffix /115 is used for 115V~ model.
For complete specifications please check WP10EX series datasheet.

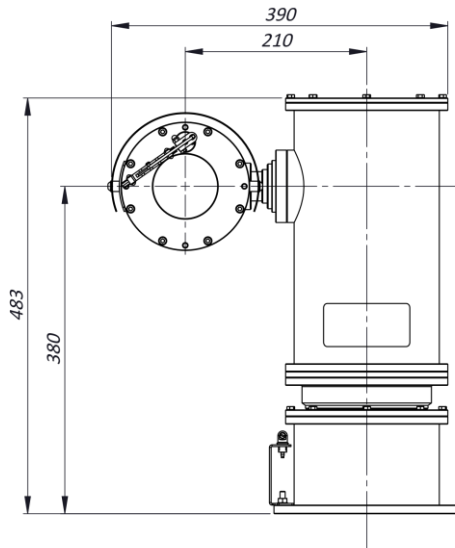


www.tecnovideoctv.com

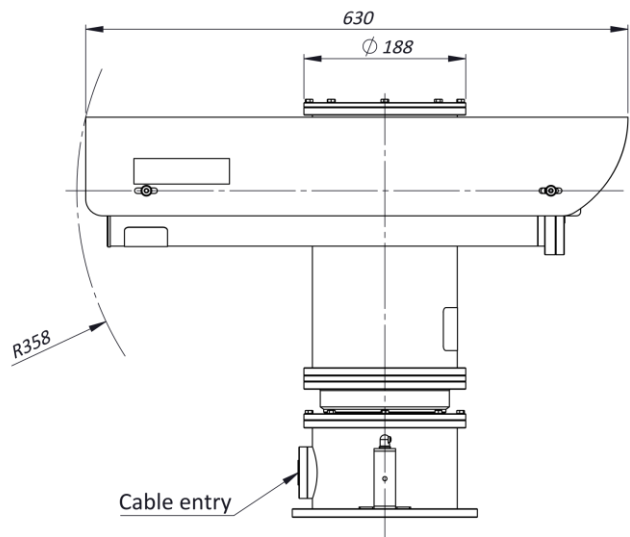
Tecnovideo S.r.l. - Via San L. Murialdo, 8 36030 Villaverla (VI) ITALY - Tel. +39.0445.350444 - info@tecnovideoctv.com

DIMENSIONS

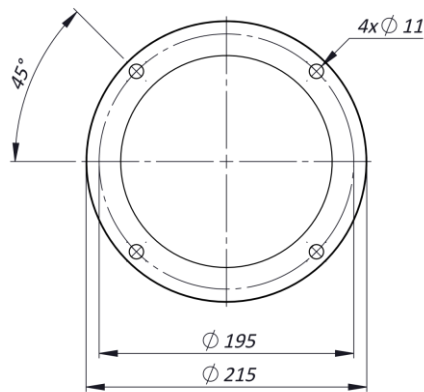
EXPTZTB6K2-CR FRONT VIEW



EXPTZTB6K2-CR SIDE VIEW



MOUNTING PATTERN



Bosch, its logos and emblems are registered trademarks of Robert Bosch GmbH.