

TECNOVIDEO

CCTV SYSTEMS AND ACCESSORIES

EXPTZTV2 SERIES

EXPLOSIONPROOF STAINLESS STEEL PTZ CAMERA STATION

HAZARDOUS AREA

- ATEX/IECEX/UKCA/INMETRO PTZ FOR HAZARDOUS LOCATIONS
- 3MP CAMERA, 33x AUTOFOCUS OPTICAL ZOOM
- AISI316L STAINLESS STEEL CONSTRUCTION
- CERTIFICATION TEMPERATURE -40°C +75°C
- OPTIONAL BUILT-IN FIBER MEDIA CONVERTER
- OPTIONAL BUILT-IN IP OVER COAXIAL CONVERTER
- OPTIONAL BUILT-IN 115VAC OR 230VAC POWER SUPPLY
- H2-READY
- INTEGRATED WIPER
- EDGE RECORDING
- 802.1X AND SNMP (V1-3) CYBER SECURITY PROTOCOLS
- NDAA COMPLIANT



TECHNICAL SPECIFICATIONS

GENERAL & MECHANICAL

Dimensions	See drawings next page
Operating Temperature	-40° +60°C, +75°C peak (-40°F +140°F, +167°F peak)
Construction	AISI316L Stainless Steel
Finish	Electro-polished
Mounting	4x Ø11 on 195 PCD
Cable entries	1x M25x1,5 cable entry
Wiper	Yes
Pan Angle	360° (continuous rotation)
Pan Speed	0 – 40°/second
Pan Torque	20Nm (limited with safety device)
Tilt Angle	180° (+/-90°)
Tilt Speed	0 – 20°/second
Tilt Torque	20Nm (limited with safety device)
Rotation angle	Electronically adjustable
Backlash	<0,1°
Max preset accuracy	0.04°
Control protocol	Pelco D (RS485)
Weight	Unit: 35kg / Gross weight: 40kg

ELECTRICAL

Thermostatically controlled heater	T[°C] ON = 12 ± 4°C, T[°C] OFF = 20 ± 3°C
Supply voltage	24VAC, 115VAC, 230VAC (+/-10%)
Power consumption	9W min (stationary and heater/wiper off), 95W MAX

VIDEO/CAMERA

Sensor	1/2.8" Progressive CMOS, 3MP
Resolution	Up to 2065x1553 (3MP)
Compression	H.265/H.264/MJPEG
Streaming	Up to 4 configurable streams
Frame Rate	60fps (WDR off), 30 fps (WDR on)
Sensitivity	Color: 0.04 lux, B/W: 0.002 lux
Shutter Speed	1 to 1/10000 s
Optical Filter	Automatically removable IR-cut filter
White Balance	Contrast White Balance
Dynamic range	WDR/HDR
Lens	33x Autofocus Optical Zoom, 10x Digital Zoom, 4.6-152mm, F1.6
Analytics	Motion Detection/Tampering. OPTIONAL: intrusion detection, wrong direction, object removal, sabotage, loitering, stopped vehicle, object counting
Image settings	Color, Brightness, Sharpness, Contrast, White Balance, Exposure control, 2DNR/3DNR/NR by motion masking
Event Triggers	External Input, Analytics, Network Failure Detection, Periodical Event, Manual Trigger
Event Actions	External Output Activation

Local storage	microSD (card not provided)
Network Storage	support for recording to NAS
SNR	>50dB
Noise Reduction	3D Motion Compensated Noise Reduction
Iris	P-Iris, Auto-Iris
Image Stabilization	EIS

NETWORK

Interface	100BASE-TX 100BASE-FX/1000BASE-X (fiber) 10/100 BASE-TX (over Coaxial Cable)
Security	User Authentication/ HTTPS/ IP Filter/ IEEE 802.1x/SNMPv3
ONVIF	ONVIF profile G/S/T/M compliant
Protocols	IPv4/v6, TCP, UDP, RTP, RTSP, HTTP, HTTPS, ICMP, FTP, SMTP, DHCP, PPPoE, UPnP, IGMP, SNMP, QoS, ARP, NTP

FIBER MEDIA CONVERTER

Interface	100 Base-FX/1000BASE-X
Cabling	Singlemode (9/125 µm) /two fibers/SC connector
Maximum Distance	20km
Wavelength	1310 nm

IP OVER COAXIAL CONVERTER

Interface	10/100 Base-TX over Coaxial Cable
Bandwidth	Up to 95Mbps downlink/uplink
Maximum Distance	1800m
Technology	Broadband over Power Lines (BPL)
Interference Prevention	IEEE 1901-2010 Inter-System Protocol ISIP

CERTIFICATIONS

Ingress Protection Rating	EN 60529 (IP66/IP67) ⊕ II 2 G Ex db op pr IIC T6 Gb -40°C ≤ Tamb ≤ +60°C ⊕ II 2 D Ex tb IIIC T85°C Db -40°C ≤ Tamb ≤ +60°C ⊕ II 2 G Ex db op pr IIB T5 Gb -40°C ≤ Tamb ≤ +75°C ⊕ II 2 D Ex tb IIIC T100°C Db -40°C ≤ Tamb ≤ +75°C
Vibrations	EN/IEC 60068-2-6; EN/IEC 60068-2-27
ATEX/UKEX Standards	EN 60079-0; EN 60079-1; EN 60079-28; EN 60079-31
IECEX Standards	IEC 60079-0; IEC 60079-1; IEC 60079-28; IEC 60079-31
INMETRO	ABNT NBR IEC 60079-0; ABNT NBR IEC 60079-1; ABNT NBR IEC 60079-28; ABNT NBR IEC 60079-31
EMC	EN 50130-4; EN 55035 ; EN/IEC 61000-6-2 ; EN/IEC 61000-6-4
LVD	EN 60950-1; EN 60950-22; EN/IEC 62368-1
FCC	FCC part 15B
RoHS	2011/65/EU + 2015/863/EU (RoHS 3)
WEEE	2012/19/EU



EXPLOSIONPROOF STAINLESS STEEL PTZ CAMERA STATION

MODELS

EXPTZTV2-CR/24	PTZ camera station, 24VAC
EXPTZTV2-CR/115	PTZ camera station, 115VAC
EXPTZTV2-CR/230	PTZ camera station, 230VAC
EXPTZTV2FO-CR/24	PTZ camera station, SM FO Media Converter, 24VAC
EXPTZTV2FO-CR/115	PTZ camera station, SM FO Media Converter, 115VAC
EXPTZTV2FO-CR/230	PTZ camera station, SM FO Media Converter, 230VAC
EXPTZTV2EOC-CR/24	AISI316L 3MP 33x PTZ IP camera station. IP OVER COAX converter, 24VAC
EXPTZTV2EOC-CR/115	AISI316L 3MP 33x PTZ IP camera station. IP OVER COAX converter, 115VAC
EXPTZTV2EOC-CR/230	AISI316L 3MP 33x PTZ IP camera station. IP OVER COAX converter, 230VAC

All the above PTZ camera stations include sunshield and heater

PRE-ASSEMBLED CONDUIT/CABLE TAILS

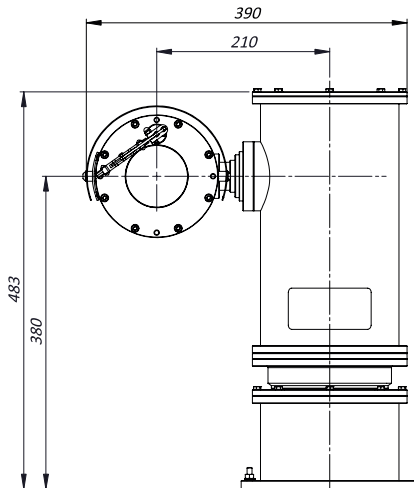
EXACCTF3-B	3 meters armoured composite cable tail (power, Ethernet, data) with 2x M25 barrier nickel plated brass glands. For PTZ camera
EXACCTF3-D	3 meters armoured composite cable tail (power, data, fiber optic) with 2x M25 barrier nickel plated brass glands. Fiber termination: SC. For PTZ camera
EXACCTF5-B	5 meters armoured composite cable tail (power, Ethernet, data) with 2x M25 barrier nickel plated brass glands. For PTZ camera
EXACCTF5-D	5 meters armoured composite cable tail (power, data, fiber optic) with 2x M25 barrier nickel plated brass glands. Fiber termination: SC. For PTZ camera
EXACCTF10-B	10 meters armoured composite cable tail (power, Ethernet, data) with 2x M25 barrier nickel plated brass glands. For PTZ camera
EXACCTF10-D	10 meters armoured composite cable tail (power, data, fiber optic) with 2x M25 barrier nickel plated brass glands. Fiber termination: SC. For PTZ camera

MOUNTING ACCESSORIES

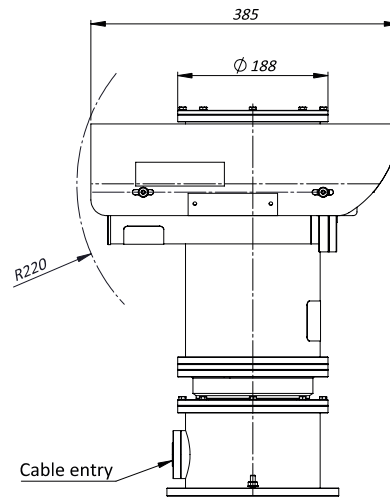
SSBK-L	Wall mounting bracket
EOC-01	10/100Base-TX Ethernet Over Coaxial Converter

DIMENSIONS

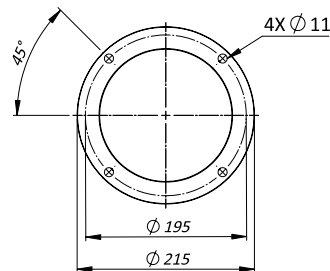
FRONT VIEW



SIDE VIEW



MOUNTING PATTERN



MAX EXTERNAL LENGTH

Model	L1 [mm] Height	L2 [mm] Width
EXPTZTV2-CR/24	483	390
EXPTZTV2-CR/115	483	390
EXPTZTV2-CR/230	483	390
EXPTZTV2FO-CR/115	483	390
EXPTZTV2FO-CR/230	483	390

MAX INTERNAL AVAILABLE DIMENSIONS

Model	Max internal dimensions [mm]	Max usable internal diameter [mm]
EXPTZ	80x80x145	90

The unit cannot be installed upside-down nor horizontally