

AISI316L Stainless Steel construction
For use in highly corrosive environments
Easy installation and maintenance
Liquid cooling system
Weatherproof standard IP67
Refined and modern design

Stainless Steel Liquid Cooled Camera Housing

168LC Series



■ 168LC70 + SSBK168LC
Liquid cooled housing with wall mount bracket



■ 168LC
Internal view

- The 168LC (liquid cooled) series comprises AISI316L stainless steel camera housings designed to protect CCTV cameras in industrial and highly corrosive environments. Every 168LC series model is formed by two stainless steel tubes close at their ends forming a special chamber that allows water or cooling liquid to cool down the housing.

The front flange is conceived to create an air barrier that cools and protects the front glass from the formation of dust and deposits, especially useful when the housing is located in foundries, near ovens or dusty places. A filter battery is available to clean the air for the barrier from all oil and dirt particles. These housings are engineered to ensure the best protection from external agents and to allow an easy installation and maintenance.

Specifically, the 168LC series is conceived to fit medium/large size camera being its internal diameter 168 mm. Highest quality materials and production process, together with a modern design and a competitive price, make these housings the best solution to protect cameras installed in the most severe environments.

Available optionals and variations:

- Two lengths are available (500 and 600 mm)
- Two front windows sizes are available (70 and 110 mm diameter)
- Zinc Selenide and Germanium window for IR cameras

Available accessories:

- SSBK168LC: wall mounting bracket with swivel joint
- SSPM168LC: pole mount adapter
- ABFL-01: air filtering battery 20-5-0.1 micron

Technical Specifications

MODELS

168LC70*	Housing (Length=500mm). Usable front window: 70mm
168LC70-L*	Housing (Length=600mm). Usable front window: 70mm
168LC110*	Housing (Length=500mm). Usable front window: 110mm
168LC110-L*	Housing (Length=600mm). Usable front window: 110mm
168LCIRZ70**	Housing (500mm) for IR viewings
168LCIRZ70-L**	Housing (600mm) for IR viewings
168LCIRG70***	Housing (500mm) for IR viewings
168LCIRG70-L***	Housing (600mm) for IR viewings

*Front window: thickness 5mm, borosilicate glass (Borofloat), with high chemical resistance and low thermal expansion

** Usable front window 70mm; thickness 5mm, Zinc Selenide with AR/AR coating

*** Usable front window 70mm; thickness 3mm, Germanium with AR/DLC coating; recommended environmental temperature not above 100° C

GENERAL & MECHANICAL

Construction: AISI316L Stainless Steel

Finish: Electro-polished

External Dimensions

Model	HxW [mm]	L [mm]
168LC	262x213	535
168LC-L	262x213	635

Internal dimensions, Maximum camera + lens size:

Model	HxW [mm]	L [mm]
168LC	116x116	485
168LC-L	116x116	585

Weight [kg]

Model	Unit	Package
168LC	18.5	20
168LC-L	19.5	21
168LCIR70	18.5	20
168LCIR70-L	19.5	21

Cable Entry:

2 M20x1,5 threaded holes on the rear flange. Cable glands not included.

TEMPERATURE

Temperature [°C]

Front window material	Outside	Inside
Borosilicate glass (Borofloat)	200	23
Borosilicate glass (Borofloat)	300	33
Borosilicate glass (Borofloat)	400	45
Zinc Selenide	200	23
Zinc Selenide	300	33

Temperature tests with about 6 l/min water flow and with about 6 bar air pressure in the front air barrier

Temperature [°F]

Front window material	Outside	Inside
Borosilicate glass (Borofloat)	392	74
Borosilicate glass (Borofloat)	572	92
Borosilicate glass (Borofloat)	752	113
Zinc Selenide	392	74
Zinc Selenide	572	92

Temperature tests with about 1,59 US gal/min water flow and with about 6 bar air pressure in the front air barrier

RECOMMENDED MOUNTING ACCESSORIES

SSBK168LC	AISI316L Stainless Steel wall mounting bracket with swivel joint
SSPM168LC	AISI316L Stainless Steel Pole Mount adapter

CERTIFICATIONS

Weatherproof standard: IP67
CE Compliant

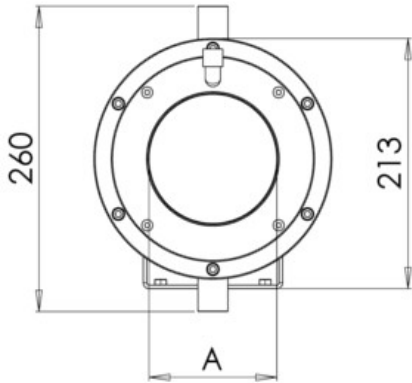
RECOMMENDED SPARE PARTS AND ACCESSORIES

MK168LC	Maintenance Kit with O-ring seals, screws seals, screws, desiccant bags.
ABFL-01	Air filtering battery 20-5-0.1 micron

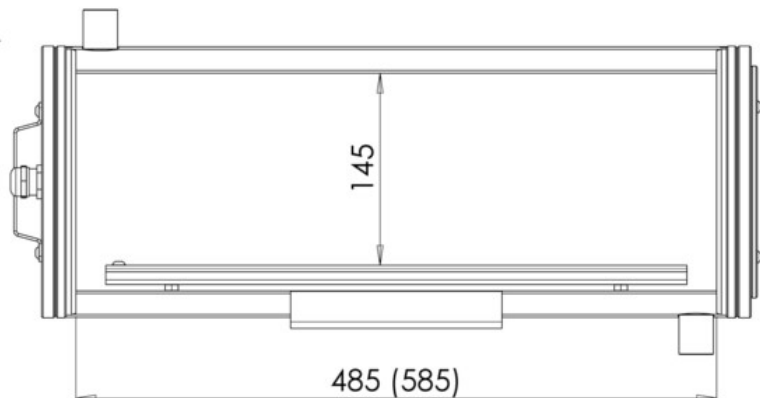
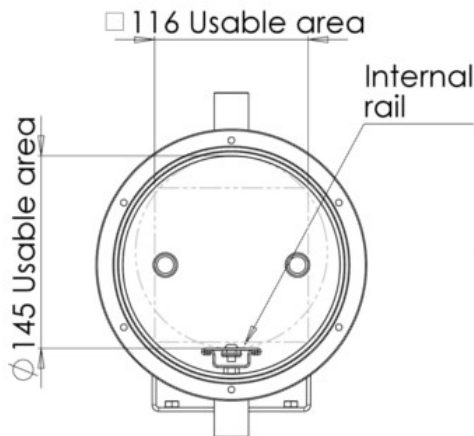
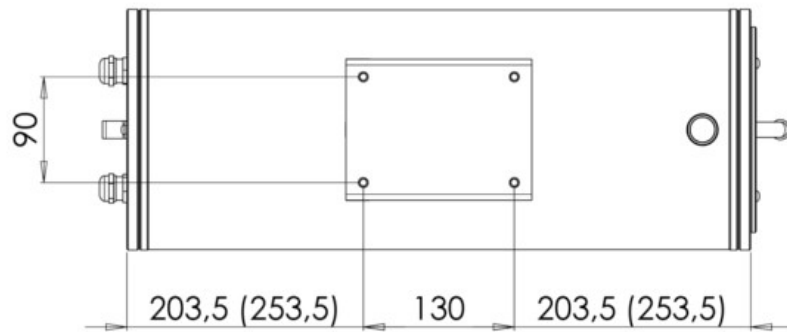
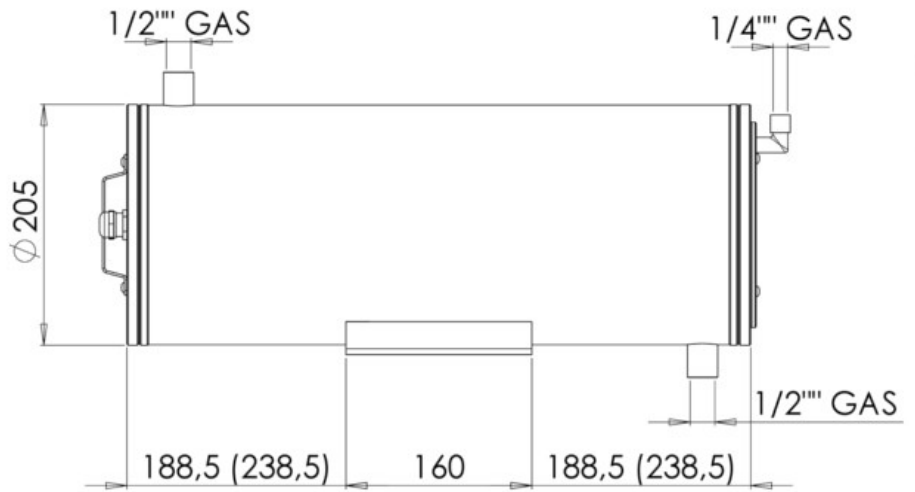


Dimensions

FRONTAL VIEW



SIDE VIEW



Available measures for "A"

A = **70** mm for 168LC70 and 168LC70-L

A = **110** mm for 168LC110 and 168LC110-L

A = **70** mm for 168IR70LC and 168IR70LC-L (Zinc Selenide window)