

TECNOVIDEO

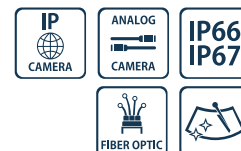
CCTV SYSTEMS AND ACCESSORIES

129 SERIES

STAINLESS STEEL CAMERA HOUSING

SAFE AREA

- AISI316L STAINLESS STEEL CONSTRUCTION
- FOR USE IN HIGHLY CORROSIVE ENVIRONMENTS
- INTEGRATED WIPER AVAILABLE
- WEATHERPROOF STANDARD IP66/IP67
- SUITABLE FOR ANALOG AND IP CAMERAS
- VISIBLE DAY/NIGHT AND THERMAL VERSIONS AVAILABLE
- OPTIONAL BUIL-IN FIBER MEDIA CONVERTER



TECHNICAL SPECIFICATIONS

GENERAL & MECHANICAL

Dimensions	See drawings next page	
Operating Temperature	-40°C +60°C, +75°C peak (-40°F +140°F, +167°F peak)	
Construction	AISI316L Stainless Steel	
Finish	Electro-polished	
Mounting	See drawings next page	
Cable entries	2x M20x1,5 nickel plated brass cable glands. Standard cable diameter 5-10mm	

Weight	Unit [kg]	Package [kg]
Model		
129/129IR	7	8
129WR	8	9

ELECTRICAL

Thermostatically controlled heater	T[°C] ON = 12 ± 4°C, T[°C] OFF = 20 ± 3°C
Available voltages	24VAC/DC, 230VAC (+/-10%)
Power consumption	10W
Max power consumption	25W

CERTIFICATIONS

Ingress Protection (EN 60529)	IP66/IP67 for all models IP68 for models without wiper
EMC	EN 50130-4; EN/IEC 61000-6-2; EN/IEC 61000-6-4
LVD	EN 60950-1; EN 60950-22
RoHS	2011/65/EU + 2015/863/EU (RoHS 3)
WEEE	2012/19/EU

MODELS

129	Fixed housing, MEDIUM size
129-L	Fixed housing, LONG size
129SH/24¹	Fixed housing, MEDIUM size, with sunshield and 24VAC/DC heater
129SH-L/24	Fixed housing, LONG size, with sunshield and 24VAC/DC heater
129WR/24^{2*}	Fixed housing, MEDIUM size, with sunshield, heater, wiper and telemetry receiver, 24VAC
129WR-L/24	Fixed housing, LONG size, with sunshield, heater, wiper and telemetry receiver, 24VAC
129SH/230	Fixed housing, MEDIUM size, with sunshield and 230VAC heater
129SH-L/230	Fixed housing, LONG size, with sunshield and 230VAC heater
129WR/230	Fixed housing, MEDIUM size, with sunshield, heater, wiper, telemetry receiver and power supply, 230VAC
129WR-L/230	Fixed housing, LONG size, with sunshield, heater, wiper, telemetry receiver and power supply, 230VAC
129AB^{3*}	Fixed housing, MEDIUM size, with air barrier front window. WITHOUT sunshield, WITHOUT heater
129SHIR50/24^{4*}	Fixed housing, MEDIUM size, with sunshield and 24VAC/DC heater. Germanium window Ø: 50mm
129SHIR50/230	Fixed housing, MEDIUM size, with sunshield and 230VAC heater. Germanium window Ø: 50mm
129SHIR70/24	Fixed housing, MEDIUM size, with sunshield and 24VAC/DC heater. Germanium window Ø: 70mm
129SHIR70/230	Fixed housing, MEDIUM size, with sunshield and 230VAC heater. Germanium window Ø: 70mm
129ABIR70^{5*}	Fixed housing MEDIUM size, with front window air barrier. Germanium window Ø: 70mm

All the above models are 360mm long. Suffix -L is used for 460mm long models. Suffix -S is used for 260mm short models.

- ¹ Usable front window diameter: 90mm, thickness: 5mm. Tempered glass
- ² Usable front window diameter: 72mm, thickness: 12mm. Tempered glass
- ³ Usable front window diameter: 70mm, thickness: 5mm. Tempered glass
- ⁴ UW= Usable front window diameter. Thickness: 2mm. Germanium, AR/DLC coating
- ⁵ UW= Usable front window diameter. Thickness: 3mm. Germanium, AR/DLC coating
- ^{*} 460mm long version is not available.
- ^{*} 260mm short version is not available.

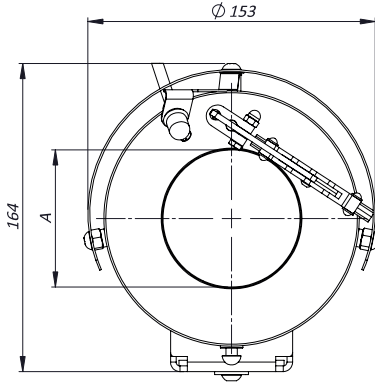
ACCESSORIES

SSBK-S	Wall mounting bracket
SSBKCLN-S	Ceiling mounting bracket
SSPM-S	Pole mount adapter
SSPTM-S	Pole TOP mount adapter
PSU01	Power supply 230VAC/24VAC installed inside the camera housing
PSU02	Power supply 115-230VAC/12VDC installed inside the camera housing
SPL01	PoE+ Splitter installed inside the housing (only for models without wiper)
ABFL-01	Air filtering group (only for 129AB models)

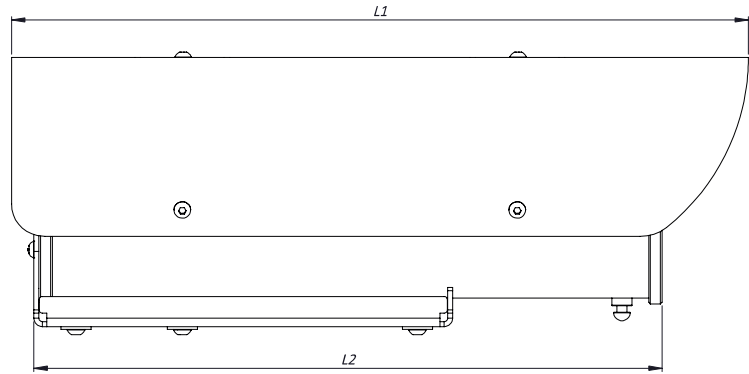
STAINLESS STEEL CAMERA HOUSING

DIMENSIONS

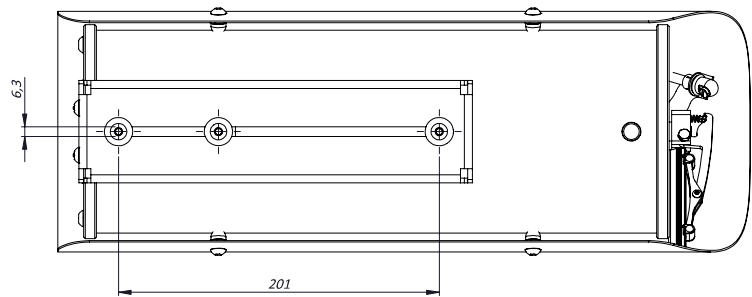
FRONT VIEW



SIDE VIEW



MOUNTING PATTERN



FOR "A" VALUES CHECK "MODELS" SECTION

MAX EXTERNAL LENGTH

Model	L1 [mm]	L2 [mm]
129SH/129SHIR	440	375
129SH-L/129SHIR-L	540	475
129WR	440	375
129WR-L	540	475
129AB/129ABIR70	388	385

MAX INTERNAL USABLE AREA

Model	Max internal dimensions [mm]	Max usable internal diameter [mm]
129/129AB	80x80x290	96
129SH/129SHIR	80x80x260	96
129SH-L/129SHIR-L	80x80x360	96
129WR	80x80x130	85
129WR-L	80x80x220	85